



Jandy Never Lube[®] 2" - 2½" Three Way CPVC Valve Installation Instructions

WARNING

FOR YOUR SAFETY - This product must be installed and serviced by a contractor who is licensed and qualified in pool equipment by the jurisdiction in which the product will be installed where such state or local requirements exist. The maintainer must be a professional with sufficient experience in pool equipment installation and maintenance so that all of the instructions in this manual can be followed exactly. Before installing this product, read and follow all warning notices and instructions that accompany this product. Failure to follow warning notices and instructions may result in property damage, personal injury, or death. Improper installation and/or operation will void the warranty.

PLUMBING

One valve designed for both 2" and 2½" pipe. **2" pipe** slip fits into valve ports. **2½" pipe** is joined using 2½" pipe coupler, 45° or 90° fitting. See figure below.

The internal valve assembly must be removed prior to gluing valve body to pipe fittings. Make certain no glue enters valve body beyond ports.

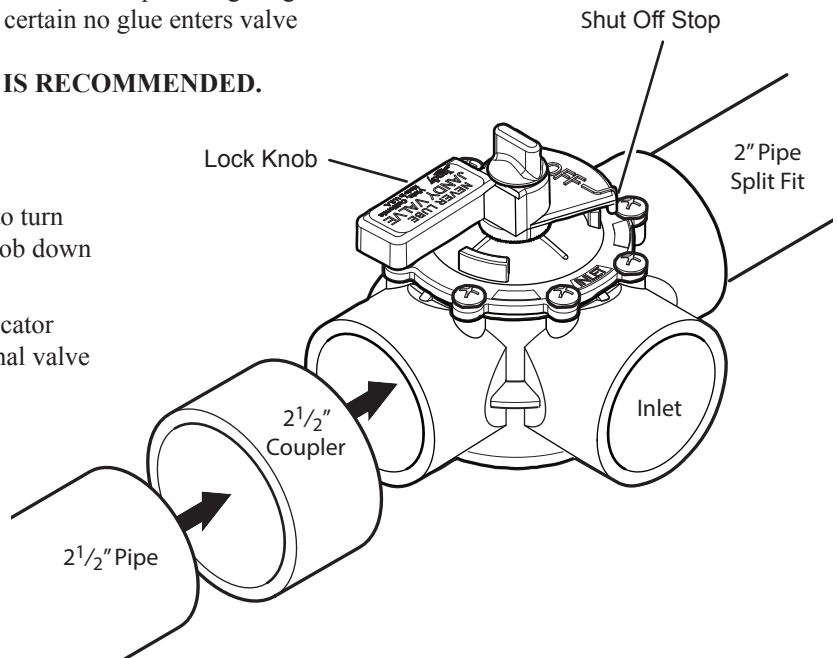
WELD-ON[®] 724 CPVC GRAY IS RECOMMENDED.

VALVE HANDLE USE

Lock Knob - Loosen lock knob to turn handle. To secure handle, turn knob down finger tight. See figure below.

Off Indicator - OFF area on indicator represents exact position of internal valve diverter seal.

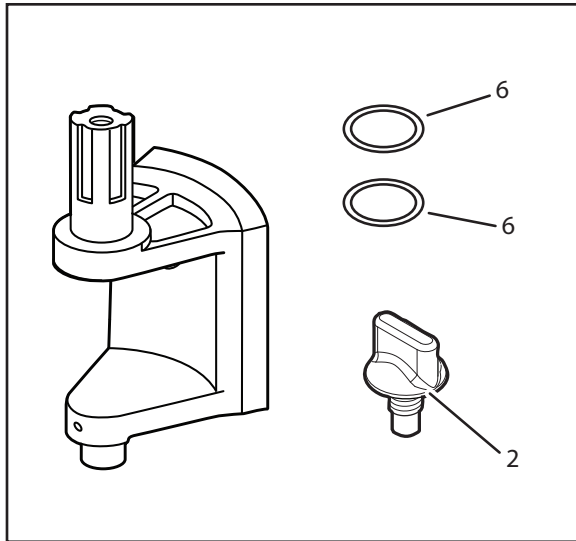
Handle Stops - Protruding shut off stops located on valve cover will stop diverter in complete port shut-off position. Be sure the word "INLET" on valve cover is over the incoming flow port.



Valve Complete, Positive Seal Part #4717

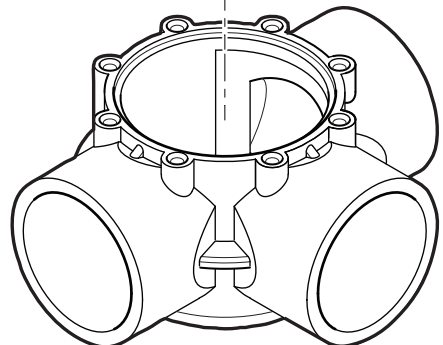
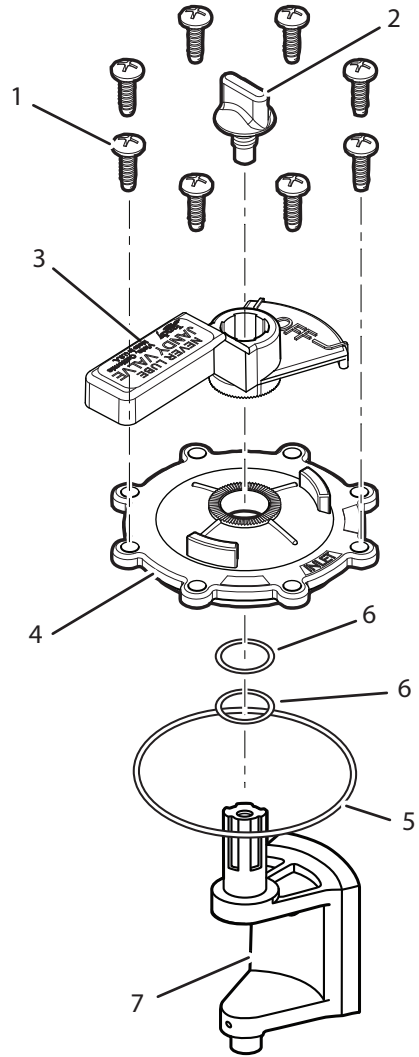
Item No	Part No	Description	Qty
1	1298	#14 x 3/4" Valve Housing Screw	8
2	R0486900	Knob (ABS) Black	1
3	R0487200	Valve Handle Never Lube	1
4	4606+	Valve Cover (3-Port) Black	1
5	1132+	151 O-Ring	1
6	R0487100	116 O-Ring	2
7	4720	Diverter Assembly Complete (Positive) Never Lube	1

NOTE The valve housing is not available as a separate part. If you need to replace the valve housing, you must replace the entire valve.



Item #7. Diverter Assembly Complete with Knob

NOTE Item 7 (Part 4720) includes a Pipe Plug P-18, but can be discarded, because it is not needed with this valve.



Zodiac Pool Systems LLC
 2882 Whiptail Loop East #100, Carlsbad, CA 92010
 1.800.822.7933 | www.Jandy.com

©2019 Zodiac Pool Systems LLC. ZODIAC® is a registered trademark of Zodiac International, S.A.S.U., used under license. All trademarks referenced herein are the property of their respective owners.