



## General Information

# for Installing a Save-T<sup>®</sup> 3 Automatic Pool Cover or Autosave<sup>™</sup> Spa Cover

This is a general guide on factors to consider for the installation of a Save-T 3 automatic cover system or Autosave spa cover.

Visit [www.coverpools.com](http://www.coverpools.com) or call 800.447.2838 for additional copies of all instructions.

### **▲WARNING**

**FOR YOUR SAFETY**—This product must be installed and serviced by a contractor who is licensed and qualified in pool equipment by the jurisdiction in which the product will be installed where such state or local requirements exist. In the event no such state or local requirement exists, the installer or maintainer must be a professional with sufficient experience in pool equipment installation and maintenance so that all of the instructions in this manual can be followed exactly. Before installing this product, read and follow all warning notices and instructions that accompany this product. Failure to follow warning notices and instructions may result in property damage, personal injury, or death. Improper installation and/or operation may void the warranty.

**Cover-Pools Incorporated**  
2580 S Decker Lake Blvd, STE 300  
West Valley City, UT 84119

800.447.2838  
801.484.2724  
[www.coverpools.com](http://www.coverpools.com)

©2021 Cover-Pools Incorporated. All rights reserved. Cover-Pools® is a registered trademark of Cover-Pools Incorporated.

All other trademarks referenced herein are the property of their respective owners.

800024 Rel-0025

# NOTES

# Table of Contents

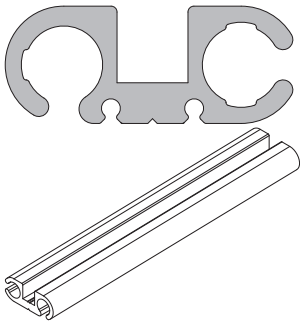
---

<b>TRACK OPTIONS</b> .....	<b>1</b>
<b>EXCAVATION AND PLUMBING</b> .....	<b>3</b>
Recessed Mechanism—Underside™ Track or Track Channel .....	3
Recessed Mechanism—Universal, SnapTop™, or Flush Track .....	4
<b>ELECTRICAL</b> .....	<b>5</b>
Electric Motor w/ Toggle Switch (Standard Equipment).....	5
Hydraulic Power System.....	5
Auto-Shutoff with Optional Accessory Board/AquaLink® .....	6
Auto-Shutoff with Accessory Board/AquaLink® and Wireless.....	6
<b>MECHANISM HOUSING</b> .....	<b>7</b>
Recessed Concrete, Wood, or UPB Box—Underside™ Track .....	7
Recessed Concrete, Wood, or UPB Box—Autosave™	
OPTION 1: Conduit comes from back of box.....	8
Recessed Concrete, Wood, or UPB Box—Autosave™	
OPTION 2: Conduit comes from side of box. ....	9
Recessed Concrete, Wood, or UPB Box—Universal or SnapTop™ Track.....	10
Recessed Wood Box Construction.....	10
Deck-Mounted Bench Construction .....	10
<b>COPING AND DECK</b> .....	<b>11</b>
Gunitite Layout—Underside™ track.....	11
Coping or Deck Requirements—Underside track .....	11
Coping or Deck Requirements—Underside track (cont.) .....	12
Tile Beam—Underside track .....	12
<b>RECESSED BOX COVER</b> .....	<b>13</b>
Brackets .....	13
Vanishing Lid™ System .....	13
Bezel™ lids .....	13
<b>SPECIFICATIONS</b> .....	<b>14</b>
<b>COVER SIZING AND PRICING</b> .....	<b>15</b>
Cost Considerations.....	16

# TRACK OPTIONS

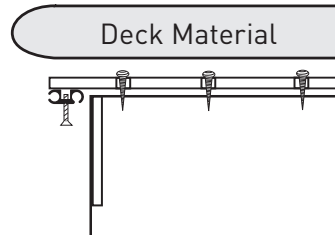
1 Based on the pool design, choose the appropriate track style and any options.

actual size



### Underside™ Track

- Mounted under deck coping
- Anodized aluminum
- Easier installation and replacement of rope

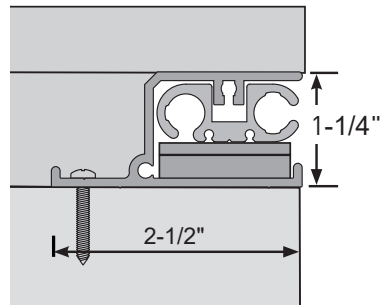


### Deck Straps

- For porous coping, brick, flagstone, and materials less than 2" thick
- Mounted every 2' of track
- For deck-on-deck pools

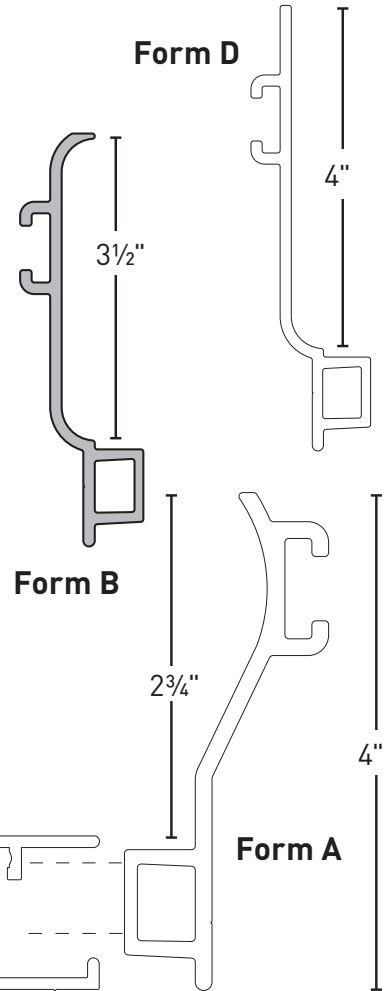
### Track Channel

- For concrete and fiberglass pools
- Raised-wall applications
- Track channel allows for custom cantilever profiles
- Foam or wood forms can be incorporated for deck profiles



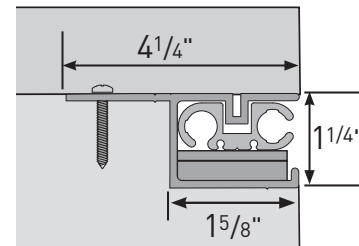
### Reusable Coping Form

- For concrete, fiberglass and vinyl-liner pools
- Eliminates the need for foam or wood forms
- Extruded aluminum



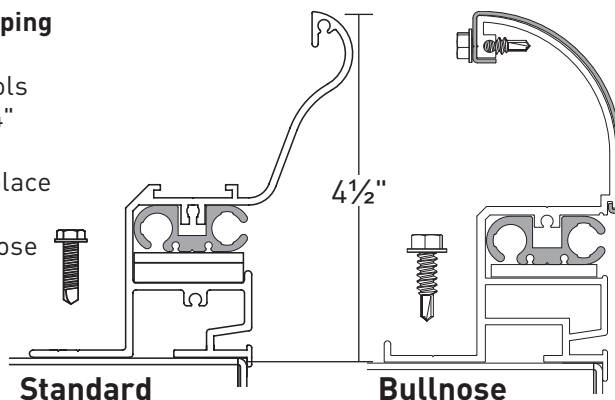
### Track Channel Inverted Mount

- For any deck surface, such as flagstone, slate or tile, that does not meet basic undertrack mounting conditions (surfaces less than 2" thick or softer materials)



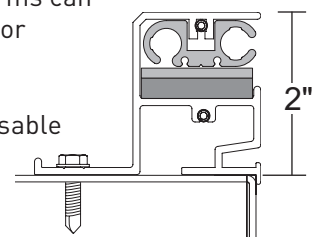
### Vinyl-Liner Pool Coping Undertrack System

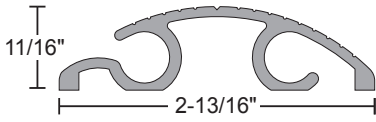
- For vinyl-liner pools
- 90°, 45°, 6" and 24" corners available
- Tracks locked in place by shims
- Standard or bullnose coping options



### Vinyl-Liner Pool Track Channel

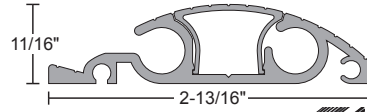
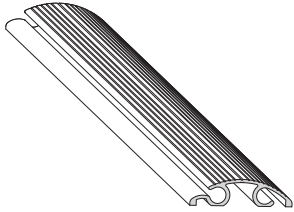
- Track channel allows for custom cantilever profiles
- Foam or wood forms can be incorporated for deck profiles
- Can be used with Cover-Pools Reusable Coping Form





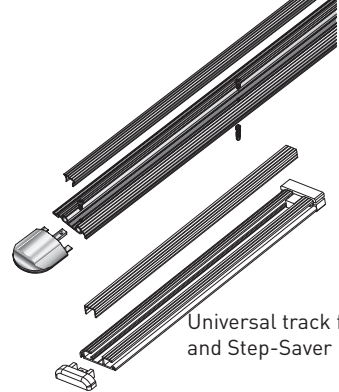
### Universal Deck-Mounted Track

- For existing decks
- Low profile
- Installed on surface of the deck
- Anodized aluminum

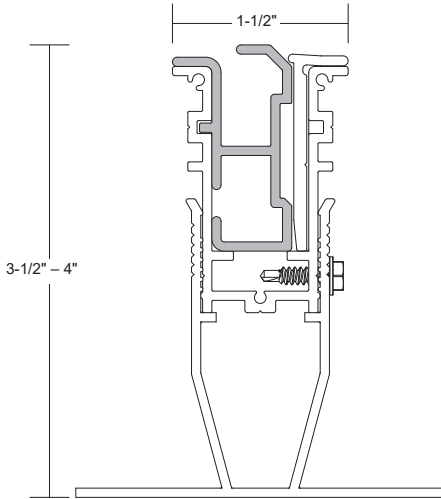


### SnapTop™ Track

- For existing decks
- Low profile
- Installed on the deck surface
- Anodized aluminum
- Uses gliders or wheels
- Screws are concealed
- Standard Universal track also available
- Smaller Slim™ track available for Step-Saver™ systems



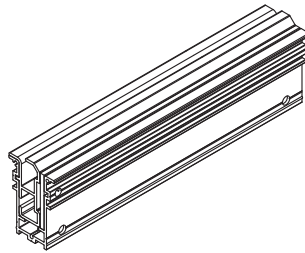
Universal track for spas and Step-Saver



### Flush Track

- For new or existing pools
- Installed flush with deck
- Vinyl-liner, fiberglass or concrete pools
- Anodized aluminum

Recommended for indoor use only

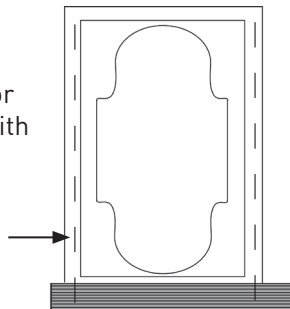


## Special Construction Applications

### Deck-on-Deck Pools

Create a rectangular frame around the free-form pool for an undertrack installation with track channel.

track channel or deck straps

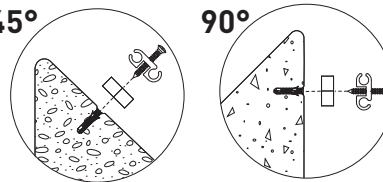


### Vanishing-Edge Pools

Create a 45° or 90° vanishing edge

45°

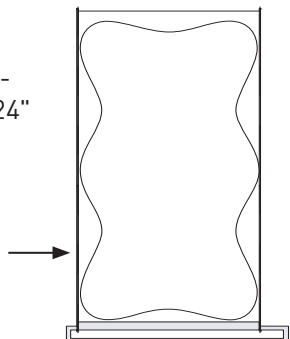
90°



### Extreme Cantilever

Create a freeform pool by extending the cantilever up to 24" beyond the channel or track.

track channel or deck straps



### Perimeter Overflow

Create a pool for which water height appears even with the deck. A narrow channel collects the overflow water and allows for the glider arms.

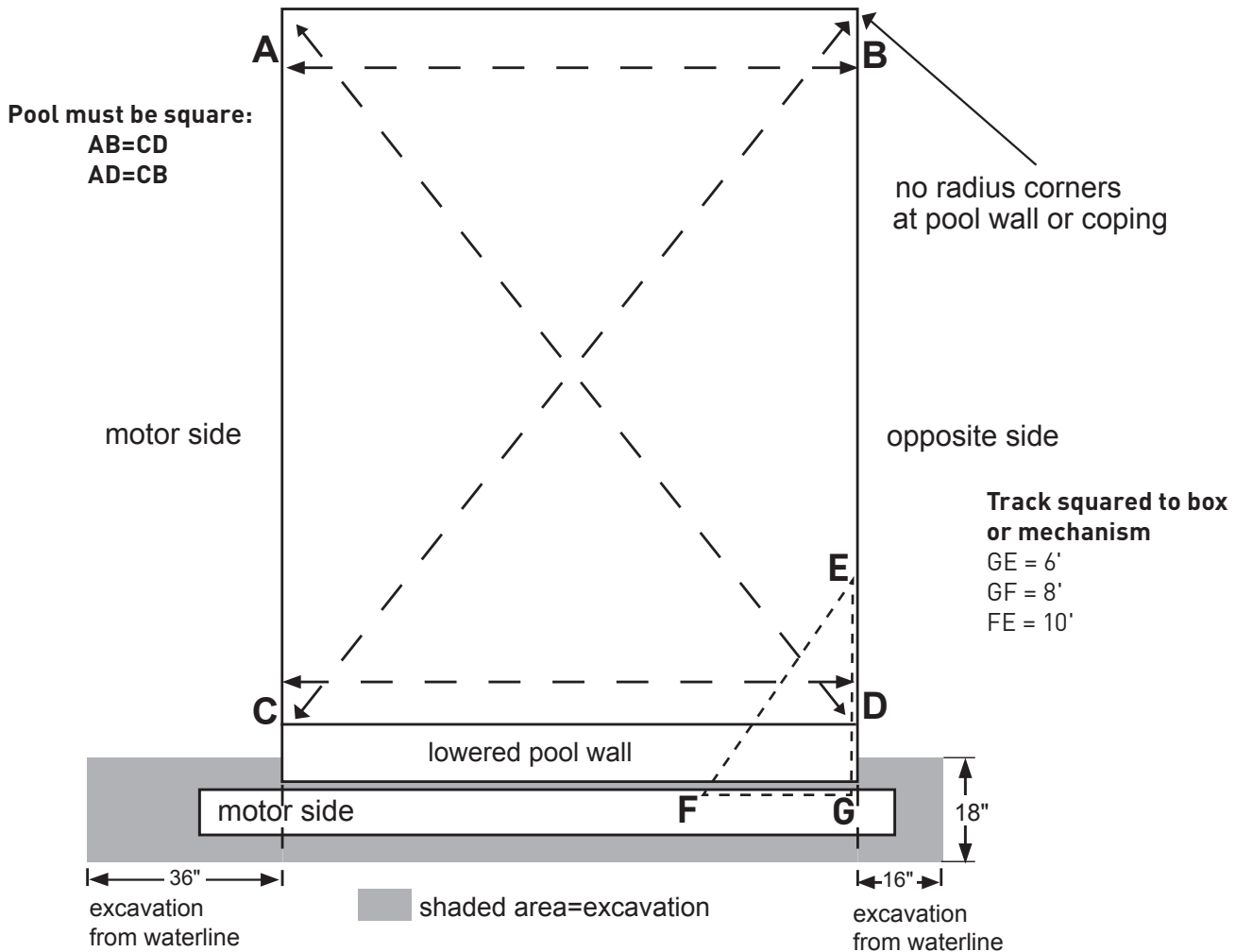
**All exposed aluminum extrusions can be painted to match deck color.**

# EXCAVATION AND PLUMBING

2 Consider any special requirements for excavation and plumbing.

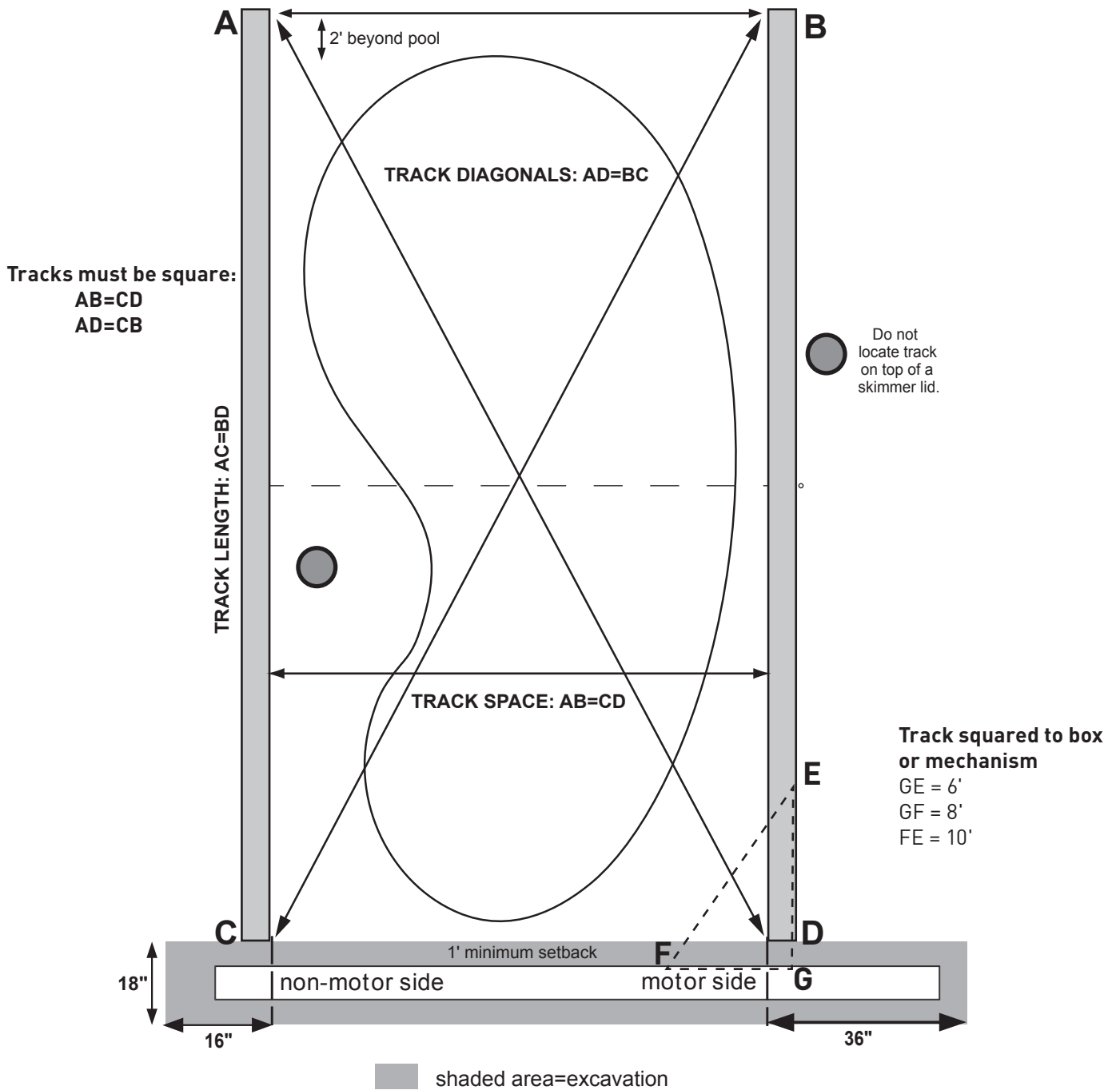
## Recessed Mechanism—Underside™ Track or Track Channel

1. The tracks (and rectangular pools) must be a true rectangle. The tracks must be perpendicular to the unit mechanism and recessed housing (90°).
2. Over-dig the recessed cover box end of the pool 18" beyond the forms. Do not install plumbing within 14" of the deck in the housing area.
3. The motor can be on either end of the cover box.
4. Do not locate skimmers in the lowered pool wall.
5. All corners must be square (no radius) on the finished tile line or the coping.
6. Place 3" drain in floor or wall of recessed housing.



## Recessed Mechanism—Universal, SnapTop™, or Flush Track

The requirements of a recessed mechanism with a deck-mounted track are the same as the undertrack on the previous page. Universal track may be mounted at the pool edge. Flush track must be set back 6" from the pool edge.



# ELECTRICAL

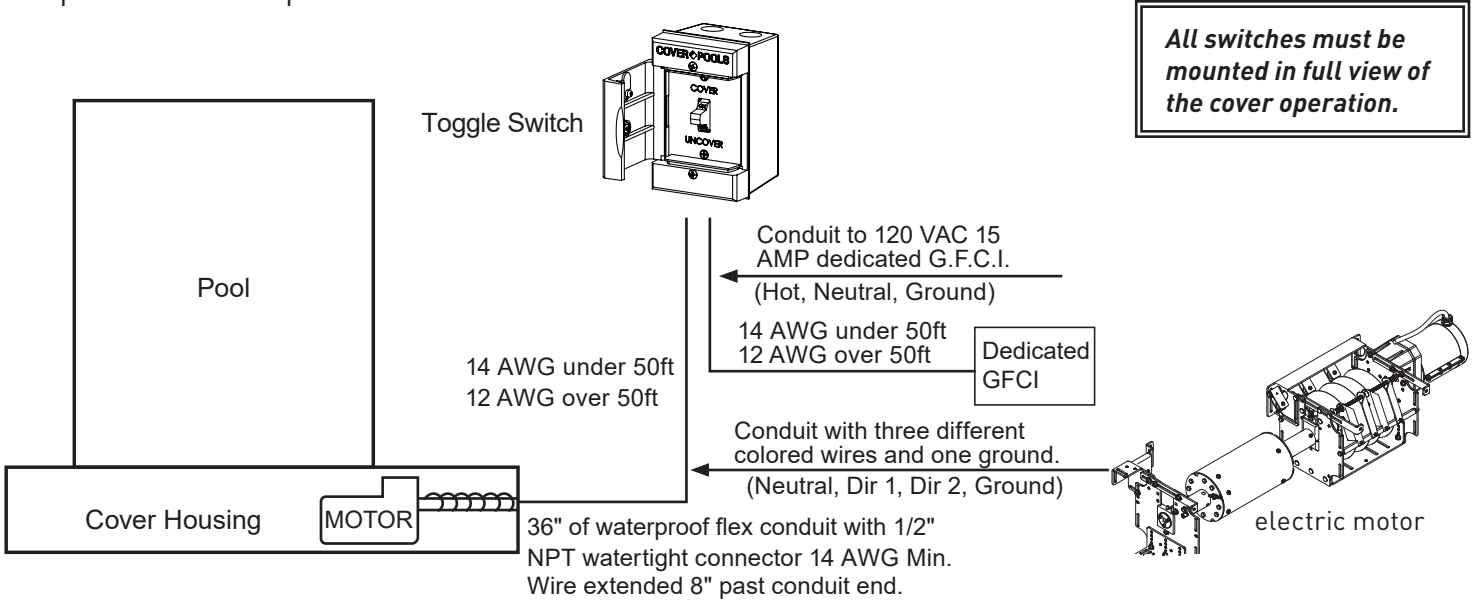
3

Choose electric or hydraulic power and controlling devices.

**WARNING!** These are minimum recommendations only. All local and federal codes of standard safe practices must be followed. Refer to the prewiring instructions for detailed instructions and additional mounting options. **TURN OFF POWER AT THE BREAKER BEFORE ATTEMPTING ANY SERVICE ON THIS EQUIPMENT.**

## Electric Motor w/ Toggle Switch (Standard Equipment)

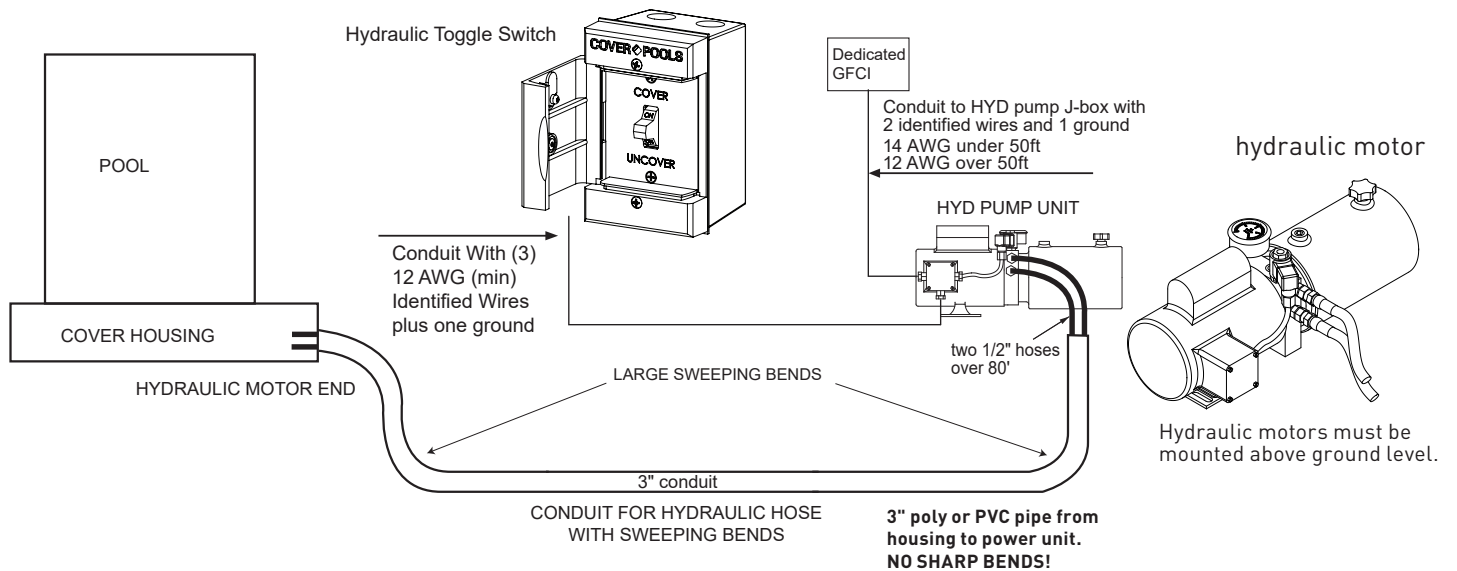
3/4 hp Motor with Slip Clutch



## Hydraulic Power System

(Optional)

**All switches/control pads must be mounted in full view of the cover operation.**



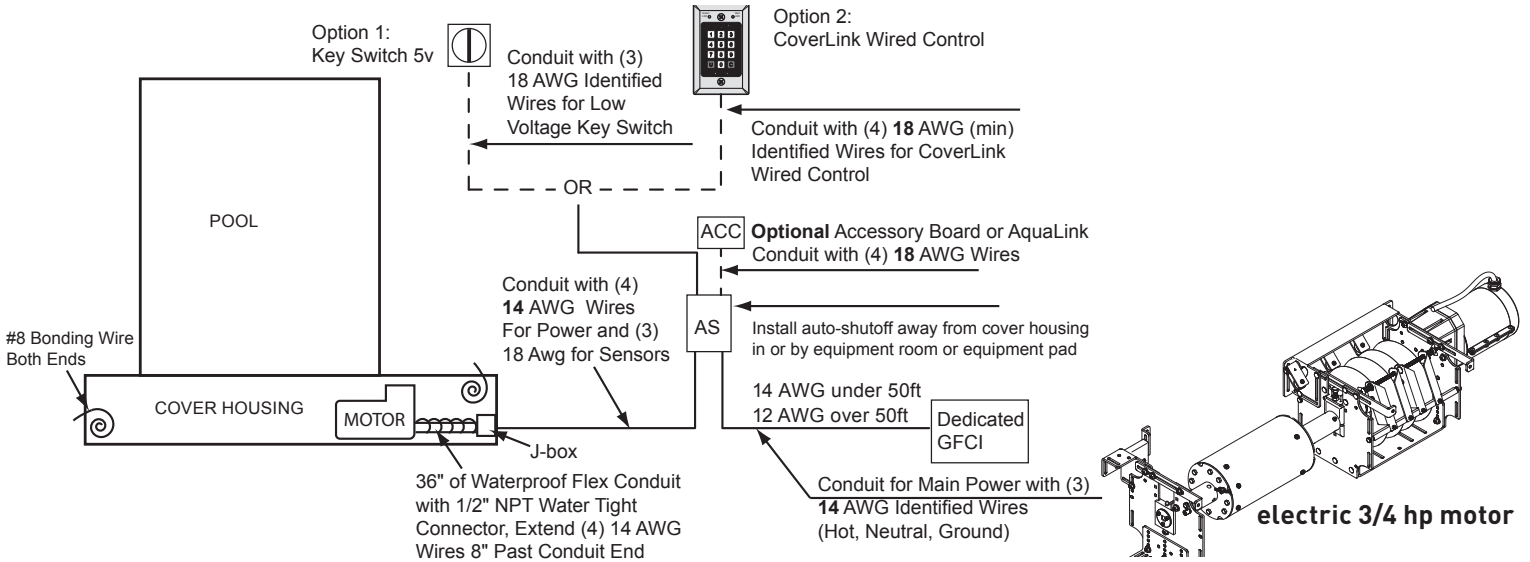


## Auto-Shutoff with Optional Accessory Board/AquaLink®

3/4 hp Motor

*All switches/control pads must be mounted in full view of the cover operation.*

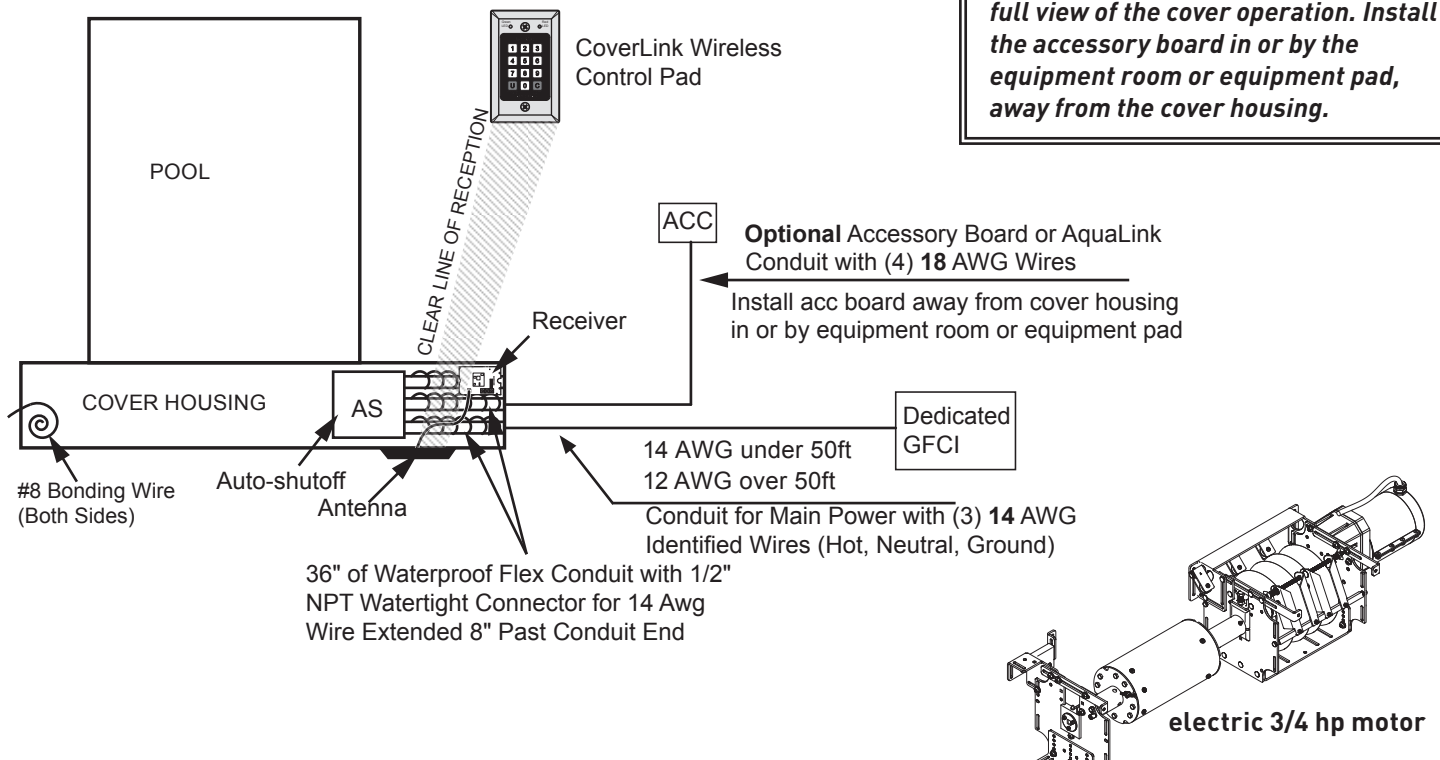
### Option 1: Auto-shutoff mounted outside housing.



## Auto-Shutoff with Accessory Board/AquaLink® and Wireless

(Optional) -- 3/4 hp Motor

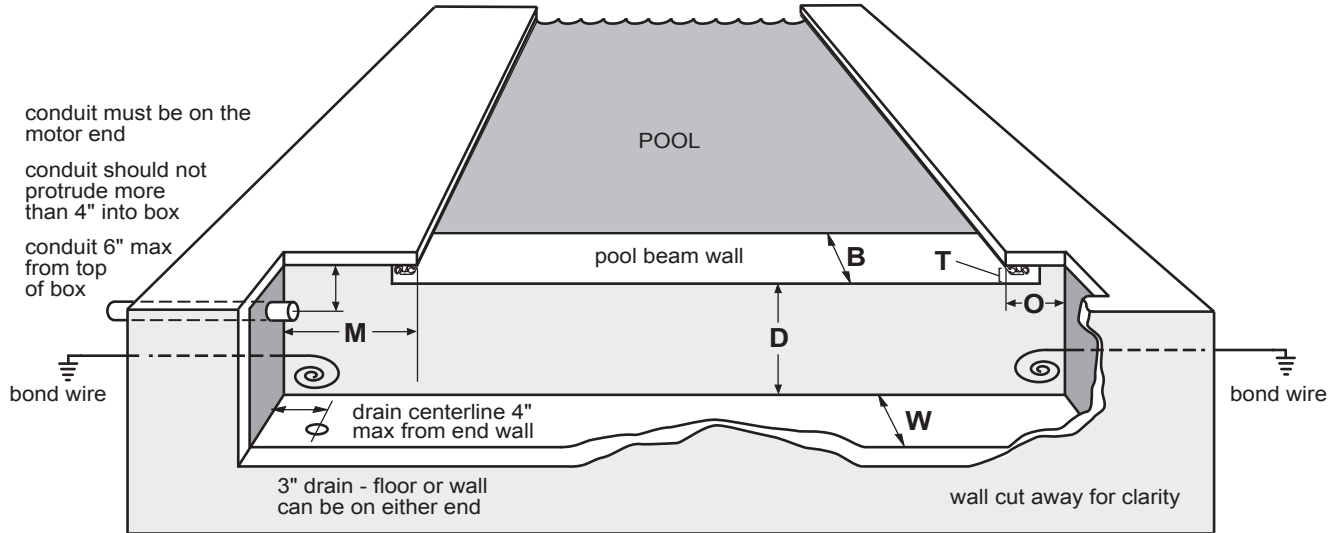
*All control pads must be mounted in full view of the cover operation. Install the accessory board in or by the equipment room or equipment pad, away from the cover housing.*



# MECHANISM HOUSING

4 Choose a recessed mechanism (concrete or wood box) or deck-mounted mechanism.

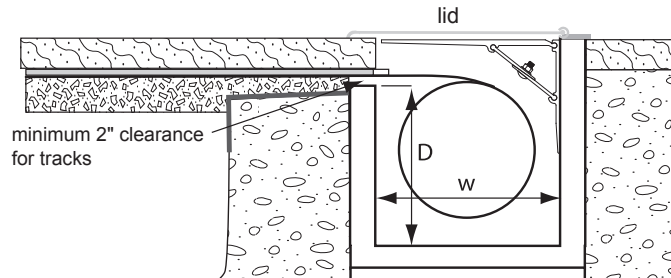
## Recessed Concrete, Wood, or UPB Box—Underside™ Track



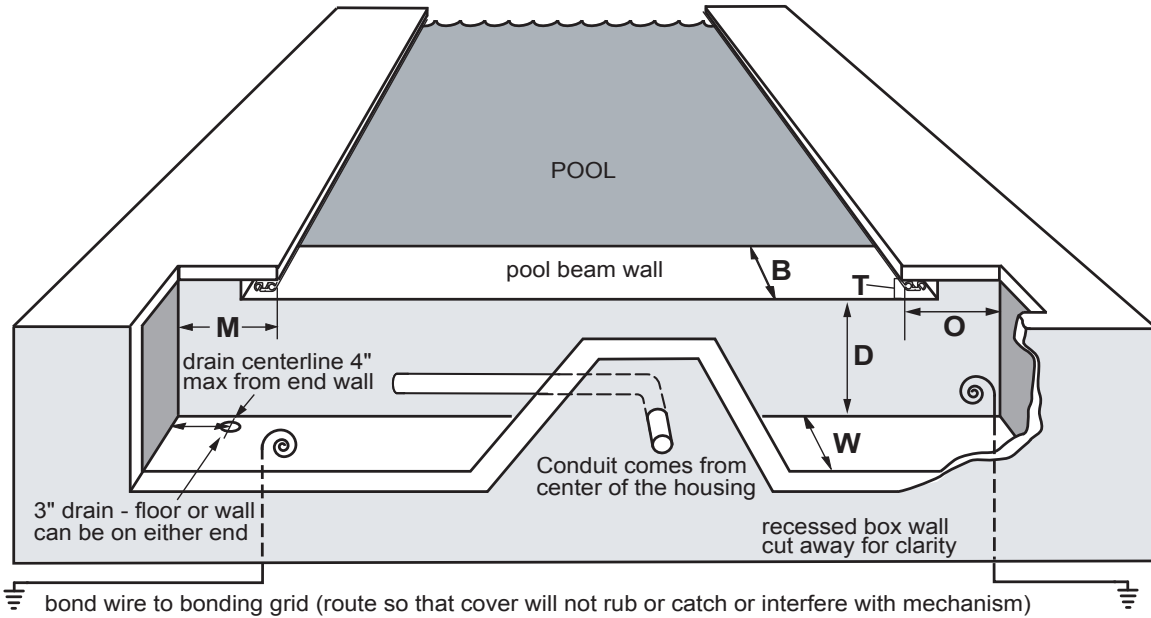
Consult a certified electrician and the pre-wiring diagrams for conduit and bonding requirements.

<b>Underside Track Box Dimensions for Save-T® 3</b>	MOTOR M	OPPOSITE O	BEAM B	THROAT T	DEPTH D	WIDTH W
Pools under 55 ft. long x 24 ft. wide	32"	10"	8-12"	2" min to finished beam	12-1/2" min	12-1/2" min
<b>UPB BOX</b> Pools up to 55 ft. long	32"	10"	8-12"	2" min to finished beam	13"	13"
Pools over 55 ft. long x 24 ft. wide	32"	10"	8-12"	2" min to finished beam	14½"	14½"
Pools over 65 ft. long or 25 ft. wide and vanishing-edge pools — Call Cover-Pools 1-800-447-2838						

### Box Side View—Underside Track



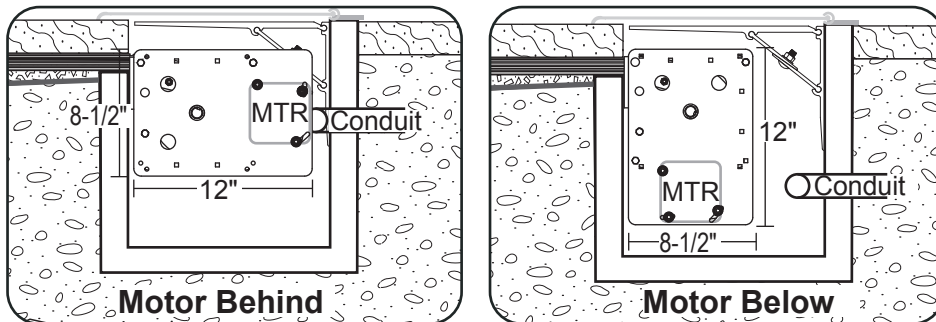
## Recessed Concrete, Wood, or UPB Box—Autosave OPTION 1: Conduit comes from back of box.



Consult a certified electrician and the pre-wiring diagrams for conduit and bonding requirements.

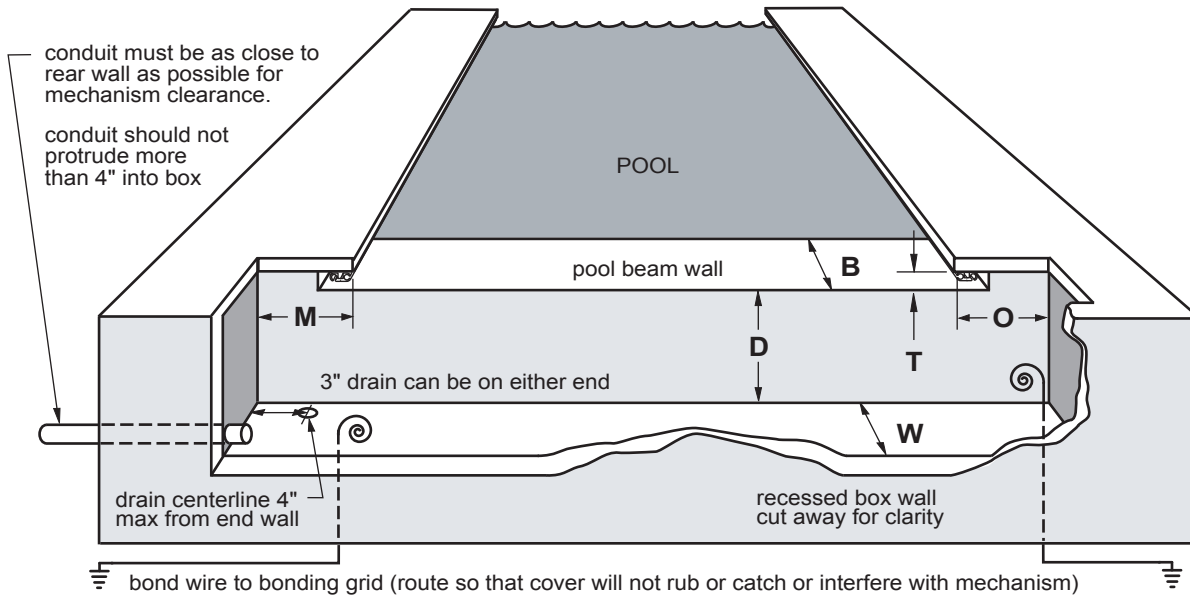
<b>Underside Track Box Dimensions For Autosave™</b> Up to 13' or 200 square feet	Motor M	Opposite O	Beam B	Throat T	Depth D	Width W
Motor Behind	9" min	9" min	10" min	1" to Finished Beam	9"min	12-1/2" min
w/ Auto-Shutoff	14-1/2" min	9" min	10" min	1" to Finished Beam	9"min	12-1/2" min
Motor Below	9" min	9" min	10" min	1" to Finished Beam	12-1/2" min	9"min
w/ Auto-Shutoff	14-1/2" min	9" min	10" min	1" to Finished Beam	12-1/2" min	9"min

### Side View



Note: To avoid interference, run the conduit from the center of the box using flex conduit with 1/2" water tight connector.

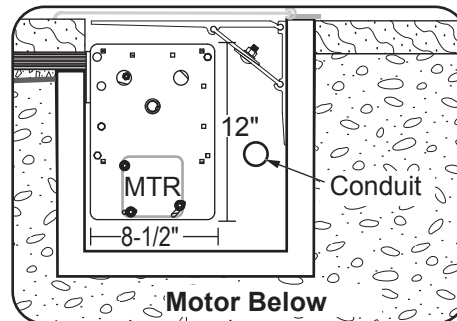
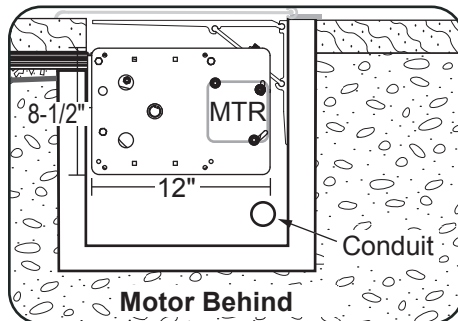
## Recessed Concrete, Wood, or UPB Box—Autosave OPTION 2: Conduit comes from side of box.



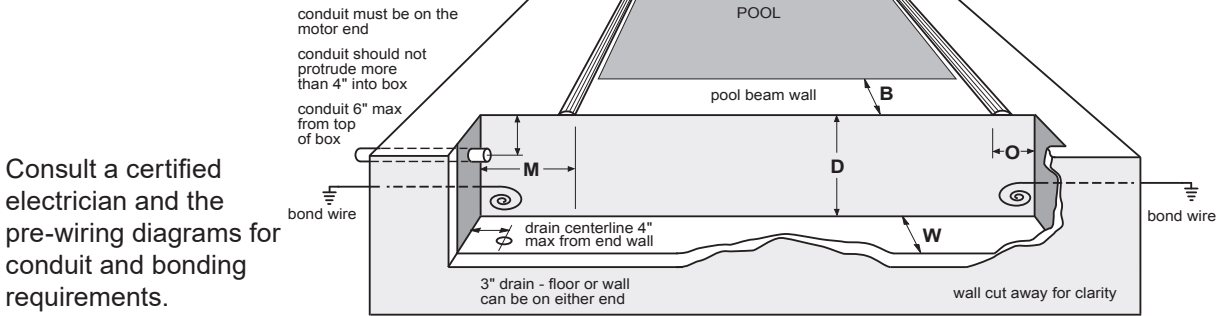
Consult a certified electrician and the pre-wiring diagrams for conduit and bonding requirements.

<b>Underside Track Box Dimensions For Autosave™ Up to 13' or 200 square feet</b>	Motor M	Opposite O	Beam B	Throat T	Depth D	Width W
Motor Behind	9" min	9" min	10" min	1" to Finished Beam	9"min	12-1/2" min
w/ Auto-Shutoff	14-1/2" min	9" min	10" min	1" to Finished Beam	9"min	12-1/2" min
Motor Below	9" min	9" min	10" min	1" to Finished Beam	12-1/2" min	9"min
w/ Auto-Shutoff	14-1/2" min	9" min	10" min	1" to Finished Beam	12-1/2" min	9"min

### Side View



## Recessed Concrete, Wood, or UPB Box—Universal or SnapTop™ Track



Deck Mount Track Box Dimensions for Save-T® 3	MOTOR M	OPPOSITE O	BEAM B	THROAT T	DEPTH D	WIDTH W
Pools under 55 ft. long x 24 ft. wide	32"	10"	8-12"	2" min to finished beam	12½" min	12½" min
<b>UPB BOX</b> Pools up to 55 ft. long	32"	10"	8-12"	2" min to finished beam	13"	13"
Pools over 55 ft. long x 24 ft. wide	32"	10"	8-12"	2" min to finished beam	14½"	14½"
Pools over 65 ft. long or 25 ft. wide and vanishing-edge pools — Call Cover-Pools 1-800-447-2838						

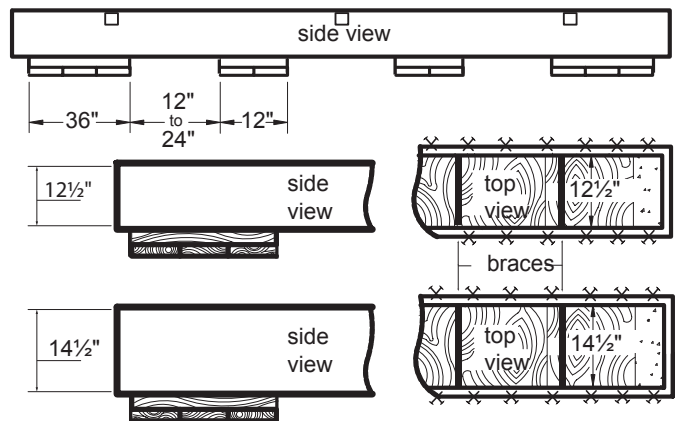
## Recessed Wood Box Construction

### Requirements:

The material used to construct the box should be:  
2" x 12" pressure-treated lumber or redwood

### Upper trim:

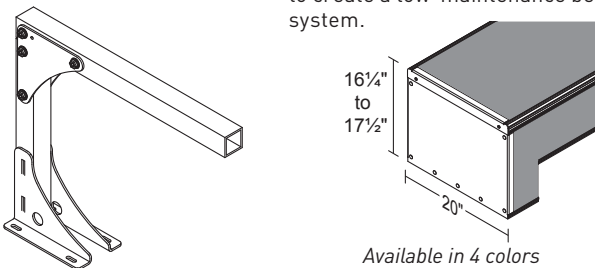
2" x 4" pressure-treated lumber or redwood



## Deck-Mounted Bench Construction

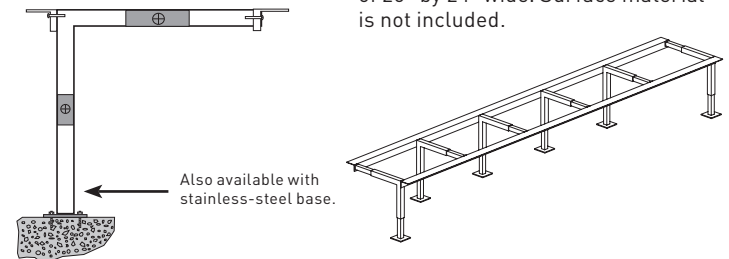
### Everlast™ Bench Kit

Modular bench kit uses adjustable-height brackets and polymer panels to create a low-maintenance bench system.

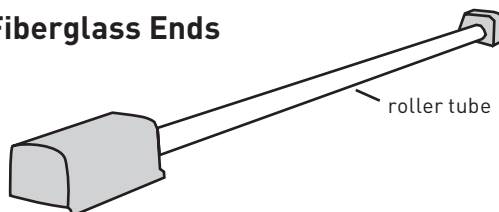


### Bench Frame

Three-piece adjustable steel brackets provide a maximum height of 20" by 24" wide. Surface material is not included.



## Deck-Mounted Fiberglass Ends

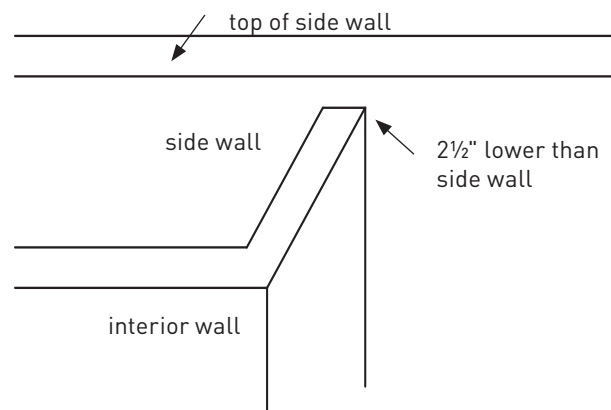
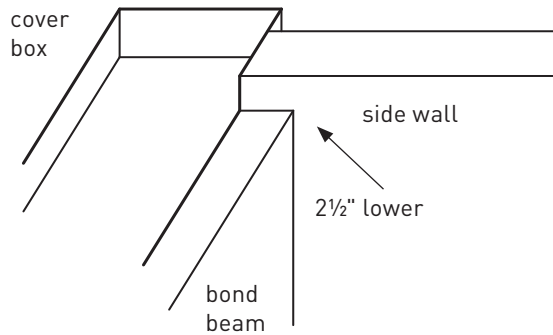
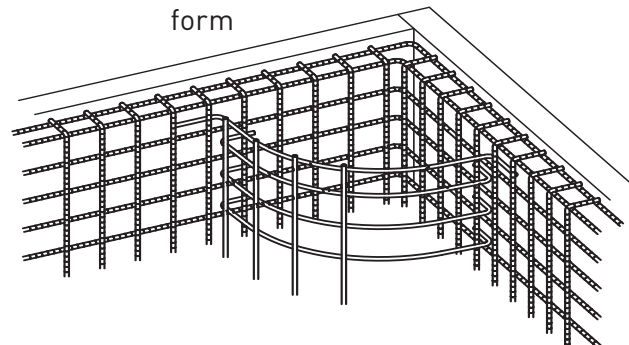
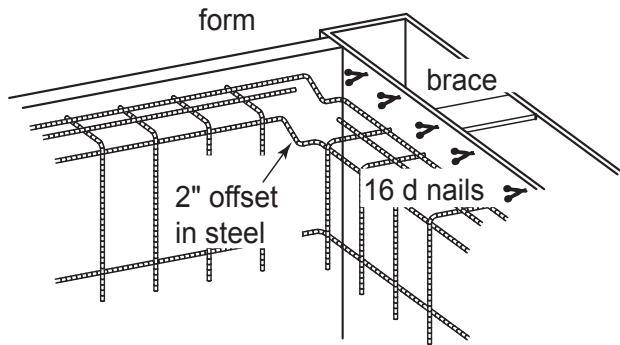


Fiberglass ends are an economical and practical solution to cover the deck-mounted mechanism. Available in white.

# COPING AND DECK

Consider the requirements for coping and deck installation.

## Gunite Layout—Underside™ track

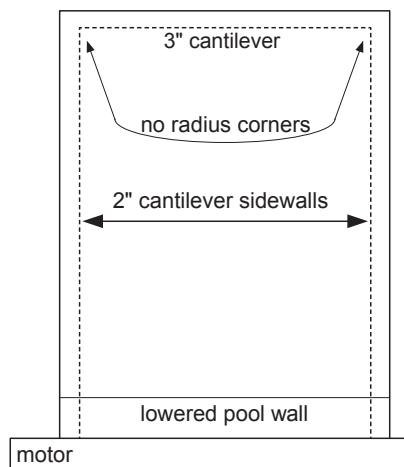


At the recessed box end, the pool wall (bond beam) must be shot 2 1/2" (2" finished with tile) lower than the side walls.

The top inside pool corners (above the waterline) must be square, not radius.

Any interior wall, such as for spas, also must be gunited 2 1/2" (2" finished with tile) lower than the side walls.

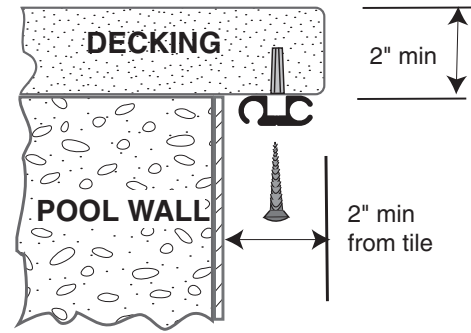
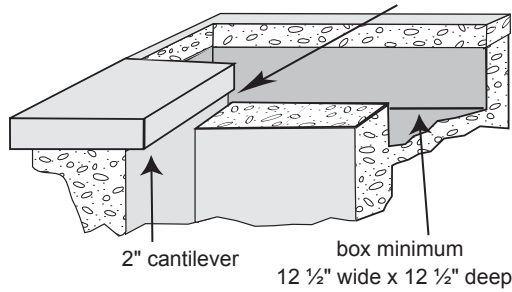
## Coping or Deck Requirements—Underside track



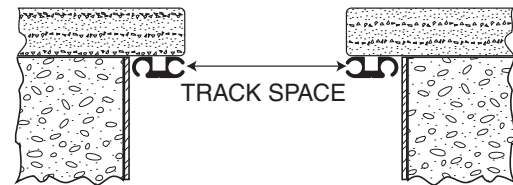
- All corners of the coping must be square
- Minimum **2" cantilever** from tile on **side walls**
- Minimum **3" cantilever** from tile on **end wall** opposite the mechanism

## Coping or Deck Requirements—Underside track (cont.)

Opening for the track must be  $2\frac{1}{2}$ " at box (2" finished with tile), sloping to 3" inside pool



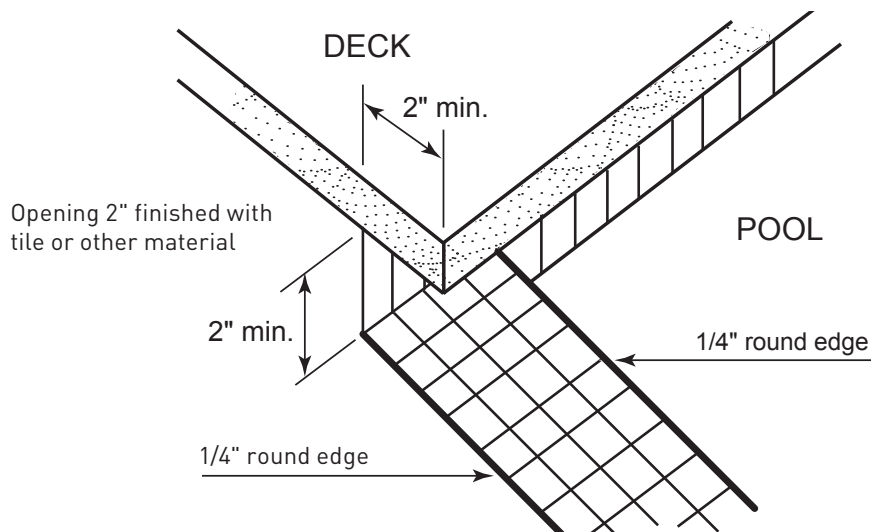
NOTE: The track must be mounted on the flat bottom of the coping. The coping measurement is **NOT** the track space. Coping must not extend more than  $\frac{1}{2}$ " past the edge of the track.



## Tile Beam—Underside track

The lowered pool wall is finished with a tile surface.

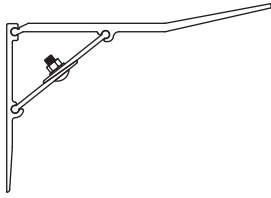
For the lowered wall edge, use a rounded tile on the front and back edges to minimize scraping on the cover.



# RECESSED BOX COVER

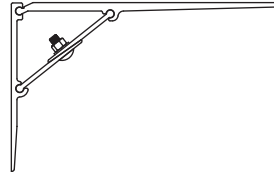
6 Choose lid and brackets to cover recessed box.

## Brackets



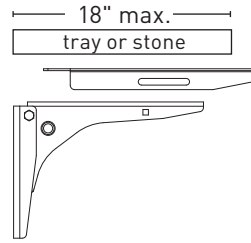
**Standard Aluminum Lid Tilted Bracket for Universal, Snaptop™, and Flush Track**

- Stepped or tilted anodized aluminum lid available with 4" or 6" hinge



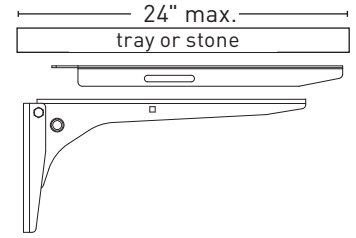
**Standard Aluminum Lid Flat Bracket for Underside™ Track**

- Standard anodized aluminum lid available with 4" or 6" hinge



**Vanishing Lid Adjustable 12" Stainless-Steel Bracket**

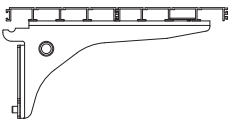
- For any tray less than 18"
- Extensions 14½" & 17½" available



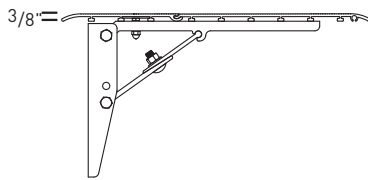
**Vanishing Lid Adjustable 18" Stainless-Steel Bracket**

- Maximum bracket spacing is two feet
- For trays 18-24" wide
- Extensions 20½" & 23½" available

## Bezel™ lids

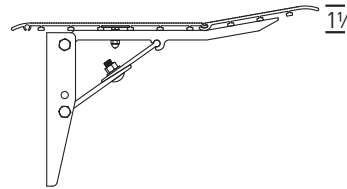


**Flush Mount Lid for vinyl liner pools with UPB Box**

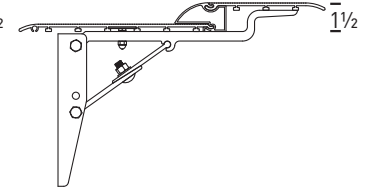


**Flat Bezel Lid**

Available in 16" or 18" width



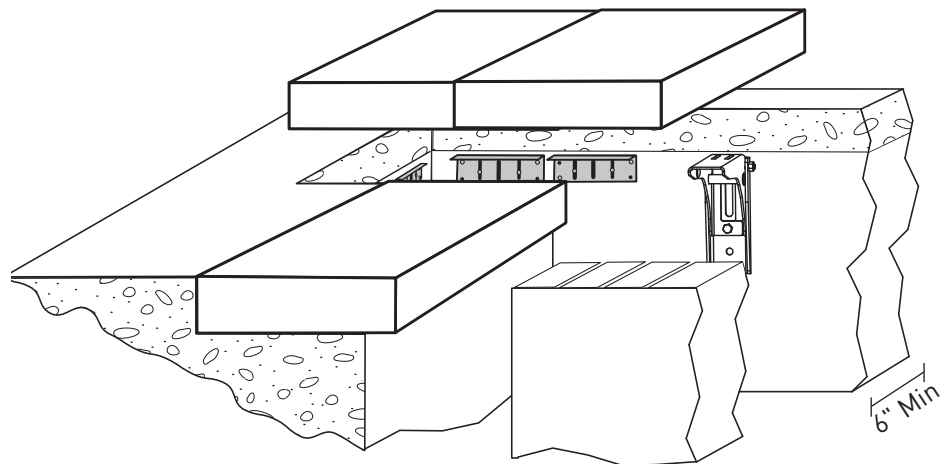
**Tilted Bezel Lid**



**Stepped Bezel Lid**

Available in 16" width with 16" or 18" ends

## Vanishing Lid™ System



### NOTE:

Walk-on Vanishing Lid systems require a concrete housing, or, if using a wood housing, a concrete wall must be poured behind the box for anchoring brackets.

### Walk-On Vanishing Lid

This design offers an adjustable tray support system for any type of deck material. Stainless-steel or aluminum trays and stainless-steel brackets provide the support base for a strong walk-on lid that can blend with the surrounding deck.

Note: The deck thickness must be increased for extended trays if the leading edge is going to fit under the tray. Contact Cover-Pools for more information.

The maximum width of any tray is 24".  
The maximum length of tray is 24".



Review system details for Save-T® covers.

### Quad-Core™ or Pro-Coat™ Fabric

- Designed for the pool environment: UV, mildew, and pool-chemical resistant with superior dimensional stability
- Strength: Exceeds the ASTM F1346-91 minimum standard of 485 lbs. per 4' radius
- Construction: Fabric is attached to webbing and low-stretch rope (70,000+ cyclic loading fatigue life) with double-sewn Dabond® bonded polyester thread for durability
- Additional special-order colors available
- 7-year prorated standard limited warranty
- Sewn webbing in 9 optional colors
- Optional Ultimate™ heat sealed webbing in 6 colors
- Optional Ultimate rope (100,000+ cyclic loading fatigue life)

### Track Styles

- 7-year limited warranty on all aluminum extrusions
- All aluminum extrusions are 100% anodized
- Underside™, SnapTop™, Universal, Slim™, or Flush track
- Safety-Lock track channel
- Top-mounted track channel for concrete and fiberglass pools
- Inverted track channel for concrete or deck-on-deck applications
- Track channel system for vinyl pools
- Coping channel for vinyl pools
- V-Pak™ kit for vinyl pools (includes system, fabric, channel, box, and lid)
- Reusable coping forms (3 Profiles)
- 45-degree vanishing-edge pools
- 90-degree vanishing-edge pools
- Corr-Resist™ non-metallic track channel

### Mechanism

- Exclusive Corr-Resist end hubs with stainless steel, designed for salt water systems
- Marine-grade anodized aluminum frame and bracket
- Limited lifetime warranty
- Exclusive positive-shift system
- Exclusive Corr-Resist rope reel with stainless steel side plates designed for quiet operation
- Standard electric system comes with either the slip clutch or auto-shutoff

### Mechanism Housing

- Standard 12" aluminum lid with either 4" or 6" hinge
- Bezel™ lids, 16" and 18" wide
- Vanishing Lid™ trays, 12"–24" wide with stainless-steel trays and stainless-steel adjustable brackets
- Fiberglass deck-mounted mechanism end housings
- Ultimate™ Polymer recessed box
- Everlast™ modular bench kit (available in 4 colors)
- Bench frame assembly

### Power and Controls

- 3-year limited warranty on all electrical
- 3/4 hp waterproof electric motor  
*Optional Ultimate™ High-Torque Motor*
- 1 ½ hp/2000 PSI hydraulic system
- Safety lockout key control
- CoverLink™ touchpad control (wired or wireless)
- Low-voltage auto-shutoff with key switch
- Water-feature shutoff
- Jandy AquaLink® Interface

### Safety

- Exceeds ASTM F1346-91 requirements
- Full UL listing
- Bonding included with all automatic systems
- Automatic water-removal cover pump included

#### • NOTE:

Some cover manufacturers treat cover pumps and bonding as options for their systems. A solid safety cover without a pump is NOT approved to ASTM F1346-91 safety standards. The installation of an automatic cover system without bonding is not a UL-listed product.

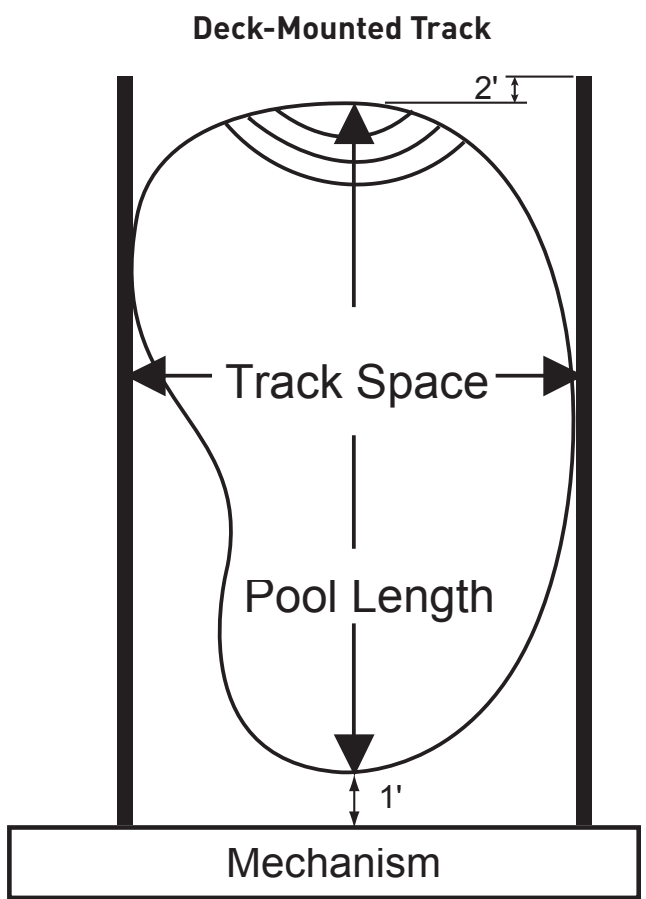
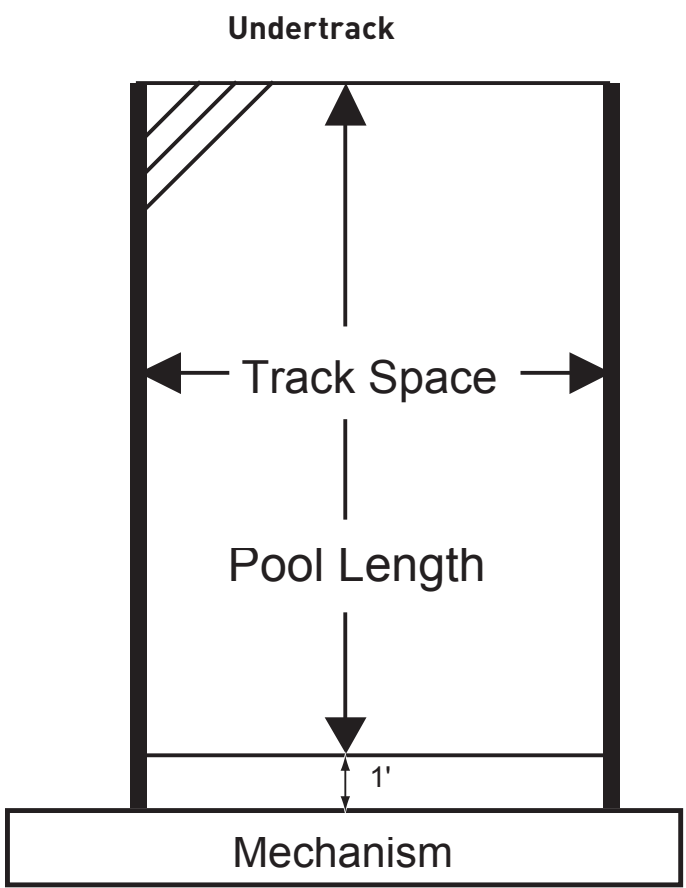
### Other Options

- Painting—all extrusions can be painted to match most deck surfaces or fabric colors

# COVER SIZING AND PRICING

Determine pricing according to the cover specifications.

Pricing based on motor mechanism being installed one foot from pool edge, motor position on left or right.



## TRACK SPACE x POOL LENGTH = COVER SQUARE-FOOT PRICING

Track widths over 25' or lengths over 65' require factory approval (maximum track space is 36').

## Cost Considerations

### Excavation/Plumbing

- Housing excavation
- 3" drain for housing drain— drain to air or drain to pit
- 3" conduit for hydraulic-unit housing

### Electrical

- 1/2" Conduit for mechanism power
- Electric run to key switch
- 15-amp GFCI dedicated circuit for mechanism at panel (20 AMP for hydraulic)
- Electric runs over 50' require heavy-gauge wire
- Electrical run for accessory board
- 1/2" Conduit (for low voltage wires) required with Auto-shutoff/CoverLink wired controls

### Concrete

- Concrete, gunite or shotcrete box, minimum 6" thick, 3500 PSI, (no rebound)
- Additional deck around housing/mechanism
- Tile on lower beam, beam cover or other

### Cover/Mechanism

- Unit price based on track space x pool length including steps, plus options
- Track space 25' 6" or more may require a larger main mechanism tube and larger leading edge for fabric

### Track

Underside™ track or Universal track standard

- Track channel for concrete or fiberglass pools (2 or 3 sided)
- Flush track
- SnapTop™ track
- Vinyl-liner pool coping 90°, 45°, 6" radius or 24" radius
- Track channel for vinyl-liner pools
- Vanishing edge 45° or 90°
- Painted track extrusions

### Housing

Aluminum lid, bench frame or fiberglass ends standard

- Painted lid extrusions
- Aluminum Lids: Standard, Bezel™ lids, or Flush Mount
- Walk-on Vanishing Lid™ trays
- Bench for deck-mounted mechanism

### Power/Controls

110 V motor and hard-wired 3-wire key standard

- Auto-shutoff control with amp limit
- Wireless CoverLink™ digital touchpad control
- Wired CoverLink digital touchpad control
- Water-feature shutoff/accessory board
- Hydraulic pump with hydraulic hoses
- Jandy AquaLink® interface & control

# COVER POOLS® SAVE-T® 3 Automatic Pool Cover System

## 180Z FABRIC COLORS

### Pro-Coat™

- brown
- charcoal
- gray
- light blue

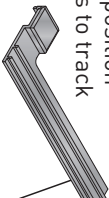
### Quad-Core™

- aqua
- beige
- black
- brown
- dusky blue
- forest green
- gray
- light blue
- royal blue
- slate gray
- tan

*Optional colored webbing or Heat Sealed Webbing*

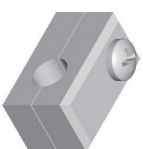
## GLIDER STOP

- prevents glider from running past the track
- ensures cover stops in correct position
- attaches to track



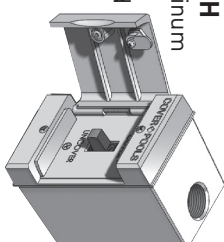
## WEBBING STOP BLOCK

- simple installation to set cover travel length
- clamp design allows easy adjustment



## TOGGLE SWITCH

- premium aluminum faceplate
- silicone-sealed door
- keyed access



## LOW-STRETCH ROPE

- 70,000 cycle loading fatigue life
- attached with double-sewn, Dabond® bonded polyester thread.

## ULTIMATE™ ROPE

- 100,000 cycle loading fatigue life

## POSITIVE SHIFT SYSTEM

- all stainless-steel shaft and shifting-dog components
- no shear pins or bolts
- 3/8" solid stainless-steel drive dowel



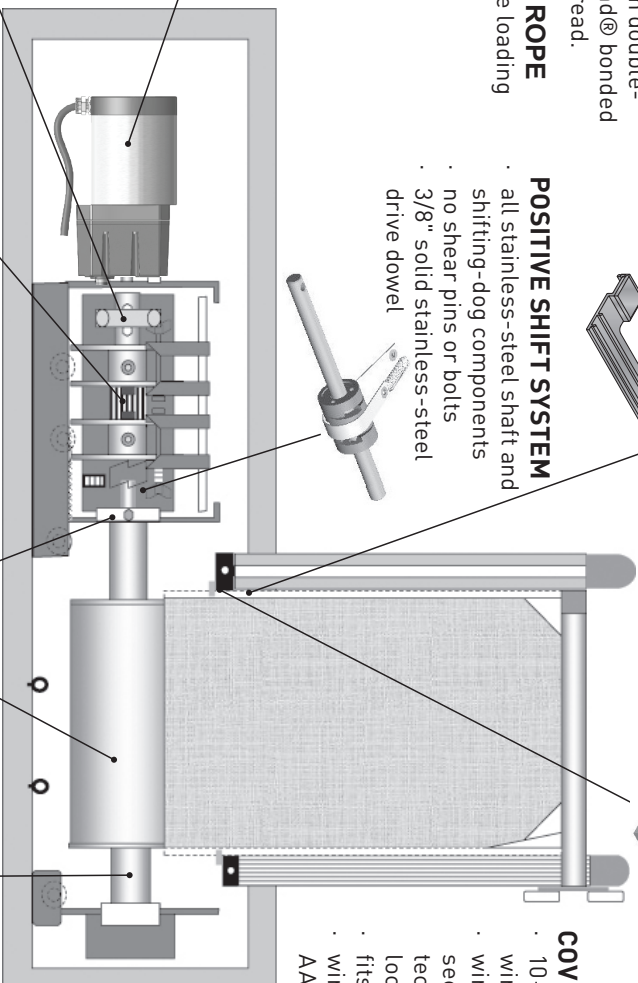
## COVERLINK™ CONTROL

- 10-number wireless or wired touch pad
- wireless systems use secure FM-radio technology with signal lock
- fits in a single gang box
- wireless touchpad uses AA batteries



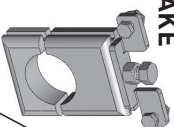
## 3/4 hp WATER RESISTANT MOTOR

- 3/4 hp, 41 rpm, 1600 in.-lbs of torque
- capacitor-start, capacitor-run
- O-ring sealed and potted
- wire-entry points
- stainless-steel gears with sealed permanent grease
- UL Listed
- *Optional Ultimate™ High-Torque Motor* 3/4 hp, 27 rpm, 1375 in.-lbs of torque



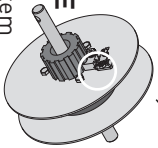
## ROLLER TUBE BRAKE

- stainless-steel brake adjuster
- easy to adjust
- keeps cover taut



## CORR-RESIST™ ROPE REEL SYSTEM

- EZ-Lock rope reel system for simple cover alignment
- choose between ratcheting or locked rope reels
- easy adjustment on out-of-square pools
- simple adjustment of cover alignment
- simple change-over to locked or unlocked reels

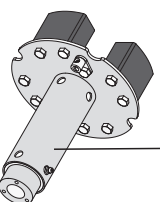


## EXCLUSIVE! MARINE-GRADE ANODIZED ROLLER DRUM

- strong 17 gauge thick aluminum tube
- 6" & 8" diameters available
- anodized aluminum protects against corrosion and oxidation

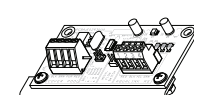
## CORR-RESIST HYBRID END CASTING™

- stainless steel and Corr-Resist™ components
- designed for mineral sanitizing systems
- minimizes salt corrosion
- can be retrofitted to previous models



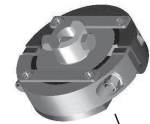
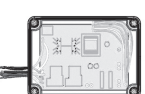
## AQUALINK® INTERFACE BOARD

- cover position controls pool features
- reduce the filter pump time
- adjust salt chlorine production levels automatically
- turn off water features, lights, and booster pump cleaners
- view pool cover position anywhere with iAqualink® app



## AUTO-SHUTOFF WITH AMP LIMITER

- compact potted waterproof design
- adjustable amp limiter overload safety circuit
- LED indicator and diagnostic lights
- optional water-feature control board (can control 12- and 24-volt motorized valves or pump motors up to 30 amps)



## SLIP CLUTCH

- stainless-steel and aluminum construction
- long-wearing industrial-grade friction material (not plastic)
- waterproof and temperature-proof operation
- no replacement parts needed
- lifetime warranty

# COVER POOLS®

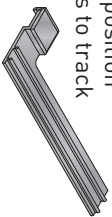
# Autosave Spa Cover System

## .16 hp WATER RESISTANT MOTOR

- .16 hp, 35 rpm, 229 in.-lbs of torque
- capacitor-start, capacitor-run
- O-ring sealed and potted
- wire-entry points
- stainless-steel gears with sealed permanent grease
- UL Listed
- *Optional* high-torque sprocket for larger spas

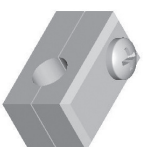
## GLIDER STOP

- prevents glider from running past the track
- ensures cover stops in correct position
- attaches to track



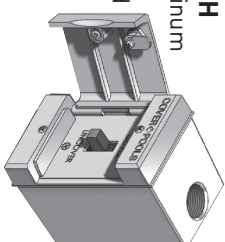
## WEBBING STOP BLOCK

- simple installation to set cover travel length
- clamp design allows easy adjustment



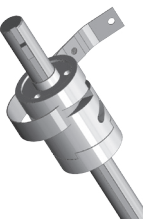
## TOGGLE SWITCH

- premium aluminum faceplate
- silicone-sealed door
- keyed access



## POSITIVE SHIFT SYSTEM

- stainless-steel shifting-dog components
- no shear pins or bolts
- 1/4" solid stainless-steel drive dowel



## 3" PVC ROLLER DRUM

- *Optional* 4" diameter aluminum roller drum for larger spas (added strength and rigidity)

## COVERLINK™ CONTROL

- 10-number wireless or wired touch pad
- wireless systems use secure FM-radio technology with signal lock
- fits in a single gang box
- wireless touchpad uses AA batteries

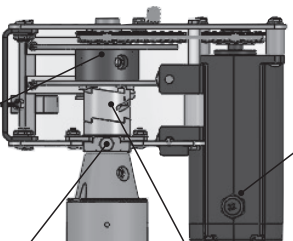


## LOW-STRETCH ROPE

- 70,000 cycle loading fatigue life
- attached with double-sewn, Dabond® bonded polyester thread.

## ULTIMATE™ ROPE

- 100,000 cycle loading fatigue life



## 180Z FABRIC COLORS

### Pro-Coat™

- brown
- charcoal
- gray
- light blue
- navy
- royal blue
- tan

### Quad-Core™

- aqua
- beige
- black
- brown
- dusky blue
- forest green
- gray
- light blue
- royal blue
- slate gray
- tan

**Optional colored webbing or Heat Sealed Webbing**

## CORR-RESIST™ ROPE REEL SYSTEM

- aluminum sides with a polymer center



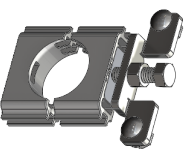
## CORR-RESIST™ POLYMER END HUB

- designed for mineral sanitizing systems
- minimizes salt corrosion



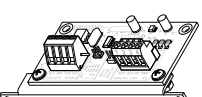
## ROLLER TUBE BRAKE

- stainless-steel brake adjuster
- easy to adjust
- keeps cover taut



## AQUALINK® INTERFACE BOARD

- cover position controls pool features
- reduce the filter pump time
- adjust salt chlorine production levels automatically
- turn off water features, lights, and booster pump cleaners
- view pool cover position anywhere with iAqualink® app



## AUTO-SHUTOFF WITH AMP LIMITER

- compact potted waterproof design
- adjustable amp limiter overload safety circuit
- LED indicator and diagnostic lights
- optional water-feature control board (can control 12- and 24-volt motorized valves or pump motors up to 30 amps)



# NOTES

# NOTES

# NOTES