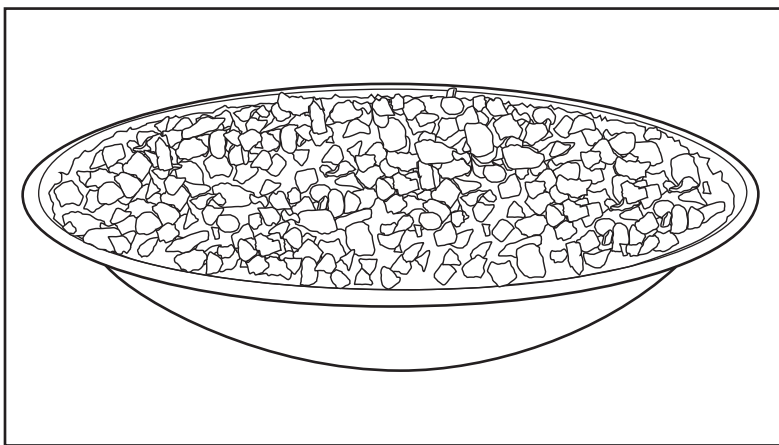




GRAND EFFECTS
FIRE & WATER ELEMENTS



Grand Effects® **Fire Glass Installation**

⚠ WARNING

FOR YOUR SAFETY - This product must be installed and serviced by a contractor who is licensed and qualified in pool equipment by the jurisdiction in which the product will be installed where such state or local requirements exist. The maintainer must be a professional with sufficient experience in pool equipment installation and maintenance so that all of the instructions in this manual can be followed exactly. Before installing this product, read and follow all warning notices and instructions that accompany this product. Failure to follow warning notices and instructions may result in property damage, personal injury, or death. Improper installation and/or operation may void the warranty.

ATTENTION INSTALLER - This manual contains important information about the installation, operation and safe use of this product. This information should be given to the owner/operator of this equipment.

Table of Contents

Contents

Section 1. Important Safety Instructions	3
Section 2. General Description	4
2.1 Product Overview	4
2.2 Product Contents.....	4
Section 3. Installing the Grand Effects® Fire Glass Inserts.....	5
3.1 Installing the Fire Glass Inserts.....	5

Section 1. Important Safety Instructions

IMPORTANT SAFETY INSTRUCTIONS PERTAINING TO A RISK OF FIRE, ELECTRIC SHOCK, OR INJURY TO PERSONS READ AND FOLLOW ALL INSTRUCTIONS

When installing and using this electrical equipment, basic safety precautions should always be followed, including the following:

WARNING

Before installing glass into any Grand Effects bowls or pits, read and follow all warning notices and instructions accompanying this fire bowl or pit. Failure to follow safety warnings and instructions can result in severe injury, death, or property damage. Visit www.zodiacpoolsystems.com for additional free copies of these instructions or call Zodiac Technical Support at 800.822.7933 (U.S.) or Grand Effects at 949.697.5270

ATTENTION INSTALLER

This manual contains important information about the installation, operation and safe use of this product. This information should be given to the owner/operator of this equipment.

SAVE THESE INSTRUCTIONS

Section 2. General Description

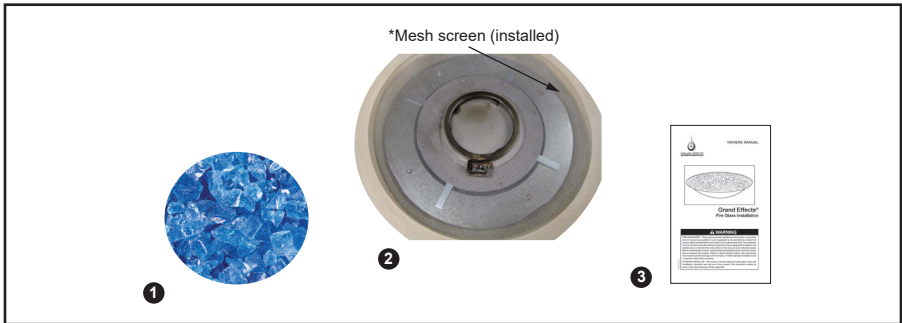
2.1 Product Overview

This manual provides instructions for installing and replacing the Grand Effects® Glass Inserts.

CAUTION

The Grand Effects Fire Pits and Bowls are not serviceable and therefore contain no serviceable parts. In order to prevent risk of property damage and/or injury, no service should be attempted to the fire pit or bowl in the event of a malfunction.

2.2 Product Contents



- | | |
|---|-------|
| 1. Grand Effects Glass Inserts | Qty 1 |
| 2. Mesh Screen (pre-cut) | Qty 1 |
| 3. Grand Effects Fire Glass Installation Manual | Qty 1 |

Section 3. Installing the Grand Effects® Fire Glass Inserts

3.1 Installing the Fire Glass Inserts

1. Grand Effects offers pre-cut mesh screens for fire bowls, fire-water bowls and fire pits. See Figure 1.

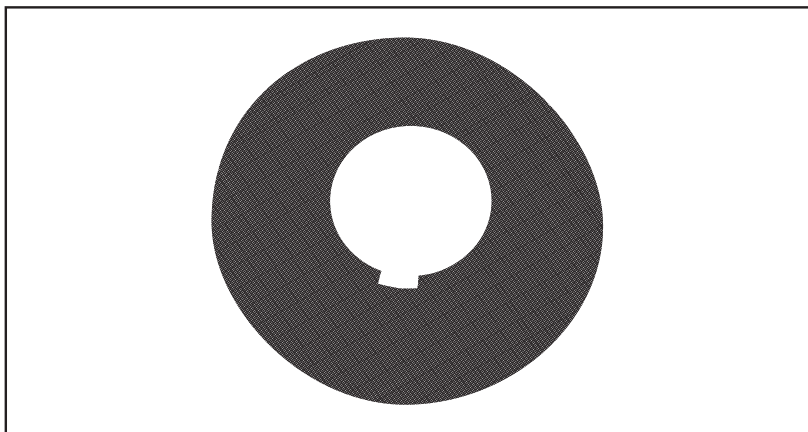
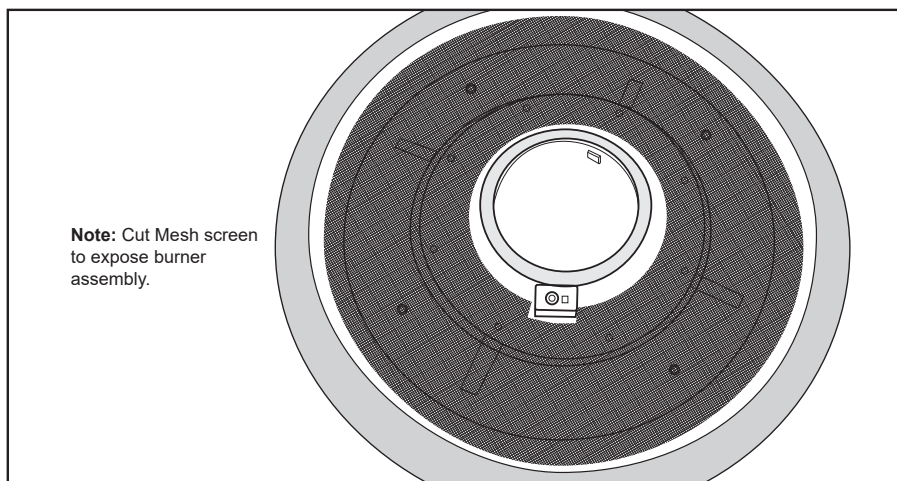


Figure 1. Pre-cut Mesh Screens for Glass Installation

2. Lay down the pre-cut stainless steel wire screen over the Grand Effects Burner Assembly. Ensure the Glass Pilot Hood (open box) is installed on the Burner Assembly. See Figure 2.



Note: Cut Mesh screen to expose burner assembly.

Figure 2. Install the Pre-cut Mesh Screen

3. Cover the mesh screen and burner assembly with a thin layer of glass. Use enough glass to cover the burner assembly and screen. Ensure the Pilot Box is free from glass. See Figure 3.

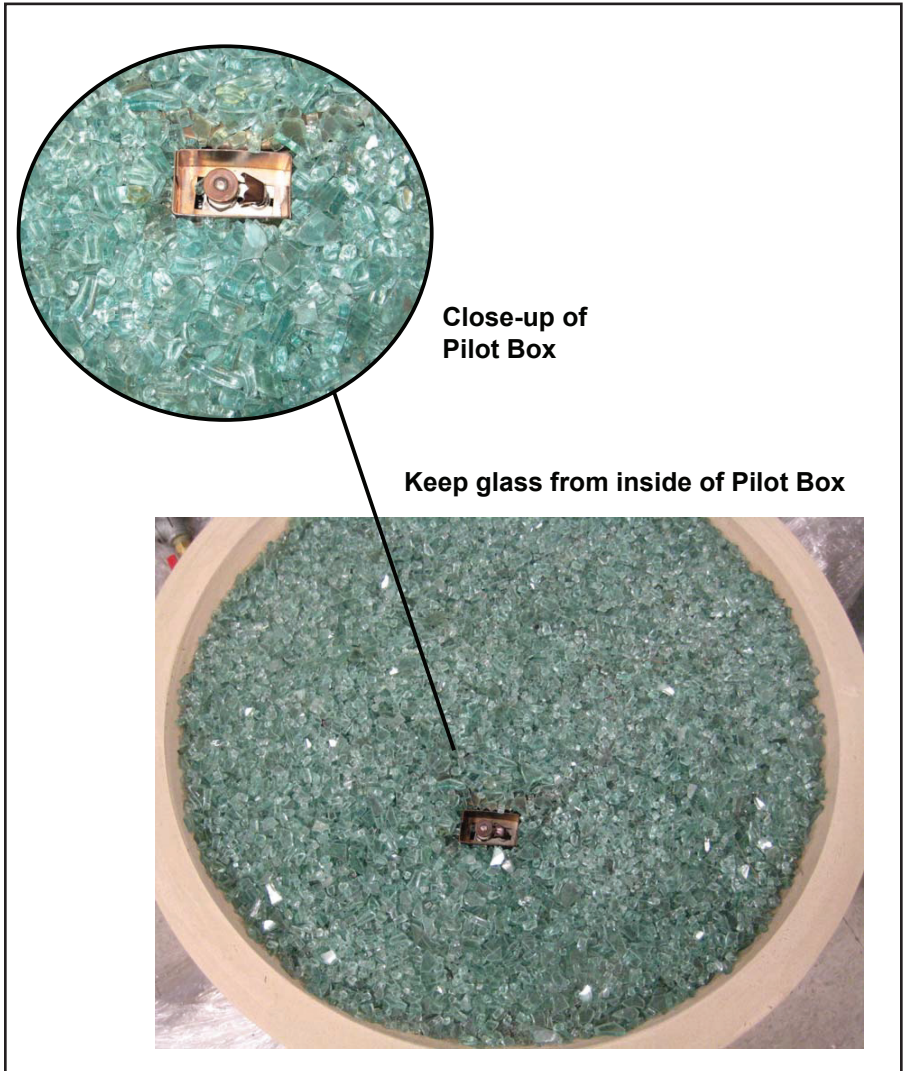


Figure 3. Glass Installed around Pilot Box

NOTES

Grand Effects

23121 Arroyo Vista, Suite B, Rancho Santa Margarita, CA 92688
1.949.697.5270 | www.GrandEffects.com

Fluidra

2882 Whiptail Loop #100, Carlsbad, CA 92010
1.800.822.7933 | www.ZodiacPoolSystems.com

©2020 Zodiac Pool Systems LLC. All rights reserved.
ZODIAC® is a registered trademark of Zodiac International,
S.A.S.U., used under license. All other trademarks are the
property of their respective owners.

H0667400 REV A

