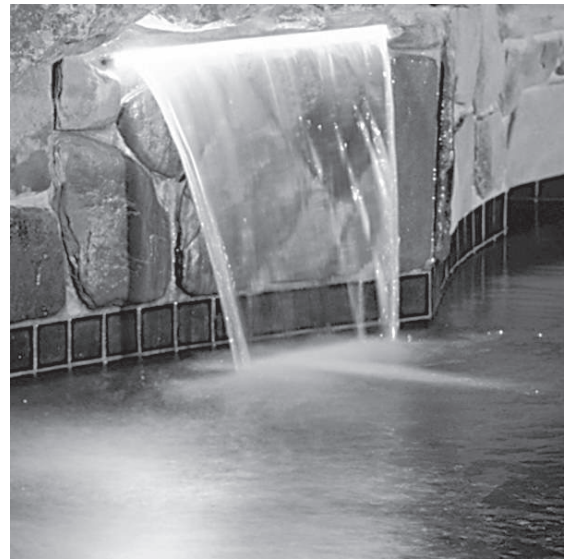


Zodiac Sheer Descent® and FiberFall® Water Features



WARNING

FOR YOUR SAFETY - This product must be installed and serviced by a contractor who is licensed and qualified in pool equipment by the jurisdiction in which the product will be installed where such state or local requirements exist. In the event no such state or local requirement exists, the installer or maintainer must be a professional with sufficient experience in pool equipment installation and maintenance so that all of the instructions in this manual can be followed exactly. Before installing this product, read and follow all warning notices and instructions that accompany this product. Failure to follow warning notices and instructions may result in property damage, personal injury, or death. Improper installation and/or operation will void the warranty.

Table of Contents

Section 1. Important Safety Instructions..... 4	Section 5. Start Up 15
1.1 Safety Instructions 4	5.1 Start Up Instructions 15
Section 2. General Installation Requirements .. 8	Section 6. General Maintenance and Troubleshooting..... 16
2.1 Preparation Instructions 8	6.1 Troubleshooting 16
2.2 Excavation and Steel Modifications 8	6.2 Freeze Protection and Winterizing..... 16
2.3 Concrete Installation and Modifications 9	
2.3.1 Positioning the Waterfall 10	
2.3.2 Finishing the Waterfall 10	
Section 3. Pump Sizing and Installation Options 10	
3.1 Existing Pool Filter Pump Installation..... 11	
3.2 Separate Pump for the Sheer Descent Waterfall 11	
Section 4. Plumbing the Sheer Descent Waterfall 12	
4.1 Waterfall Return Line Plumbing 12	
4.2 Plumbing a Single Unit..... 13	
4.3 Plumbing Multiple Units 13	
4.4 Cutting the Lip for Radius or Custom Installations 13	
4.5 Sheer Descent Waterfall Radius Cut Guideline..... 14	

Section 1. Important Safety Instructions

READ AND FOLLOW ALL INSTRUCTIONS

1.1 Safety Instructions

All work must be performed by a contractor who is licensed and qualified in pool equipment and conform to all national, state, and local codes. When installing and using this equipment, basic safety precautions should always be followed, including the following:

WARNING

RISK OF SUCTION ENTRAPMENT HAZARD, WHICH, IF NOT AVOIDED CAN RESULT IN SERIOUS INJURY OR DEATH. Do not block pump suction as this can cause severe injury or death. Suction outlet (drain) covers must be certified to latest published version of ANSI®/ASME® A112.19.8, or its successor standard, ANSI/APSP-16.

WARNING

To reduce the risk of injury, do not permit children to use this product.

WARNING

To reduce the risk of property damage or injury, do not attempt to change the backwash (multiport, slide, or full flow) valve position with the pump running.

WARNING

Due to the potential risk of fire, electric shock, or injuries to persons, Zodiac Equipment must be installed in accordance with the National Electrical Code® (NEC®), all local electrical and safety codes, and the Occupational Safety and Health Act (OSHA). Copies of the National Electrical Code may be ordered from the National Fire Protection Association® (NFPA®) online at www.nfpa.org or call 617-770-3000, or contact your local government inspection agency.

WARNING

Incorrectly installed equipment may fail, causing severe injury or property damage.

WARNING

- Do not connect system to an unregulated city water system or other external source of pressurized water producing pressures greater than 35 PSI.
- Trapped air in system can cause the pump and/or filter lid to be blown off which can result in death, serious personal injury, or property damage. Be sure all air is out of system before operating.

 **WARNING**

To minimize risk of severe injury or death the filter and/or pump should not be subjected to the piping system pressurization test.

Local codes may require the pool piping system to be subjected to a pressure test. These requirements are generally not intended to apply to the pool equipment such as filters or pumps.

Zodiac pool equipment is pressure tested at the factory.

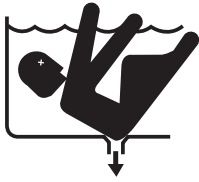
If however the WARNING cannot be followed and pressure testing of the piping system must include the filter and/or pump **BE SURE TO COMPLY WITH THE FOLLOWING SAFETY INSTRUCTIONS:**

- Check all clamps, bolts, lids, lock rings and system accessories to ensure they are properly installed and secured before testing.
- **RELEASE ALL AIR** in the system before testing.
- Water pressure for test must **NOT EXCEED 35 PSI (241 kPa)**.
- Water temperature for test must **NOT EXCEED 100°F (38°C)**.
- Limit test to 24 hours. After test, visually check system to be sure it is ready for operation.
- **Notice:** These parameters apply to Zodiac equipment only. For non-Zodiac equipment, consult equipment manufacturer.

 **WARNING**

Chemical spills and fumes can weaken pool/spa equipment. Corrosion can cause filters and other equipment to fail, resulting in severe injury or property damage. Do not store pool chemicals near your equipment.

SAVE THESE INSTRUCTIONS

 **WARNING**

SUCTION HAZARD. Can cause serious injury or death. Do not use this pump for wading pools, shallow pools or spas containing bottom drains, unless the pump is connected to at least two (2) functioning suction outlets.

 **WARNING**

Pump suction is hazardous and can trap and drown or disembowel bathers. Do not use or operate swimming pools, spa, or hot tubs if a suction outlet cover is missing, broken, or loose. The following guidelines provide information for pump installation that minimizes the risk of injury to users of pools, spas, and hot tubs:

- **Entrapment Protection** - The pump suction system must provide protection against the hazards of suction entrapment.
- **Suction Outlet Covers** - All suction outlets must have correctly installed, screw-fastened covers in place. All suction outlet (drain) assemblies and their covers must be properly maintained. Suction outlets (drain) assemblies and their covers must be listed/certified to the latest version of ANSI®/ASME® A112.19.8 or its successor standard, ANSI/APSP-16. They must be replaced if cracked, broken, or missing. Do not use either the pool or the spa until repair or replacement is performed.
- **Number of Suction Outlets Per Pump** - Provide at least two (2) hydraulically-balanced main drains, with covers, as suction outlets for each circulating pump suction line. The centers of the main drains (suction outlets) on any one (1) suction line must be at least three (3) feet apart, center to center. See Figure 1.
- The system **must** be built to include at least two (2) suction outlets (drains) connected to the pump whenever the pump is running. However, if two (2) main drains run into a single suction line, the single suction line may be equipped with a valve that will shut off both main drains from the pump. The system shall be constructed such that it shall not allow for separate or independent shutoff or isolation of each drain. See "Figure 2. Typical Piping Installation".
- More than one (1) pump can be connected to a single suction line as long as the requirements above are met.
- **Water Velocity** - The maximum water velocity through the suction outlet assembly and its cover for any suction outlet must not exceed the suction fitting assembly and its cover's maximum design flow rate. The suction outlet (drain) assembly and its cover must comply with the latest version of ANSI/ASME A112.19.8, the standard for Suction Fittings For Use in Swimming Pools, Wading Pools, Spas, and Hot Tubs, or its successor standard, ANSI/APSP-16.
- If 100% of the pump's flow comes from the main drain system, the maximum water velocity in the pump suction hydraulic system must be six (6) feet per second or less, even if one (1) main drain (suction outlet) is completely blocked. The flow through the remaining main drain(s) must comply with the latest version of ANSI/ASME A112.19.8, the standard for Suction Fittings For Use in Swimming Pools, Wading Pools, Spas, and Hot Tubs, or its successor standard, ANSI/APSP-16.
- **Testing and Certification** - Suction outlet assemblies and their covers must have been tested by a nationally recognized testing laboratory and found to comply with the latest version of ANSI/ASME A112.19.8, the standard for Suction Fittings For Use in Swimming Pools, Wading Pools, Spas, and Hot Tubs, or its successor standard, ANSI/APSP-16.
- **Fittings** - Fittings restrict flow; for best efficiency use fewest possible fittings (but at least two (2) suction outlets).
- Avoid fittings which could cause an air trap.
- Pool cleaner suction fittings must conform to applicable International Association of Plumbing and Mechanical Officials (IAPMO) standards.

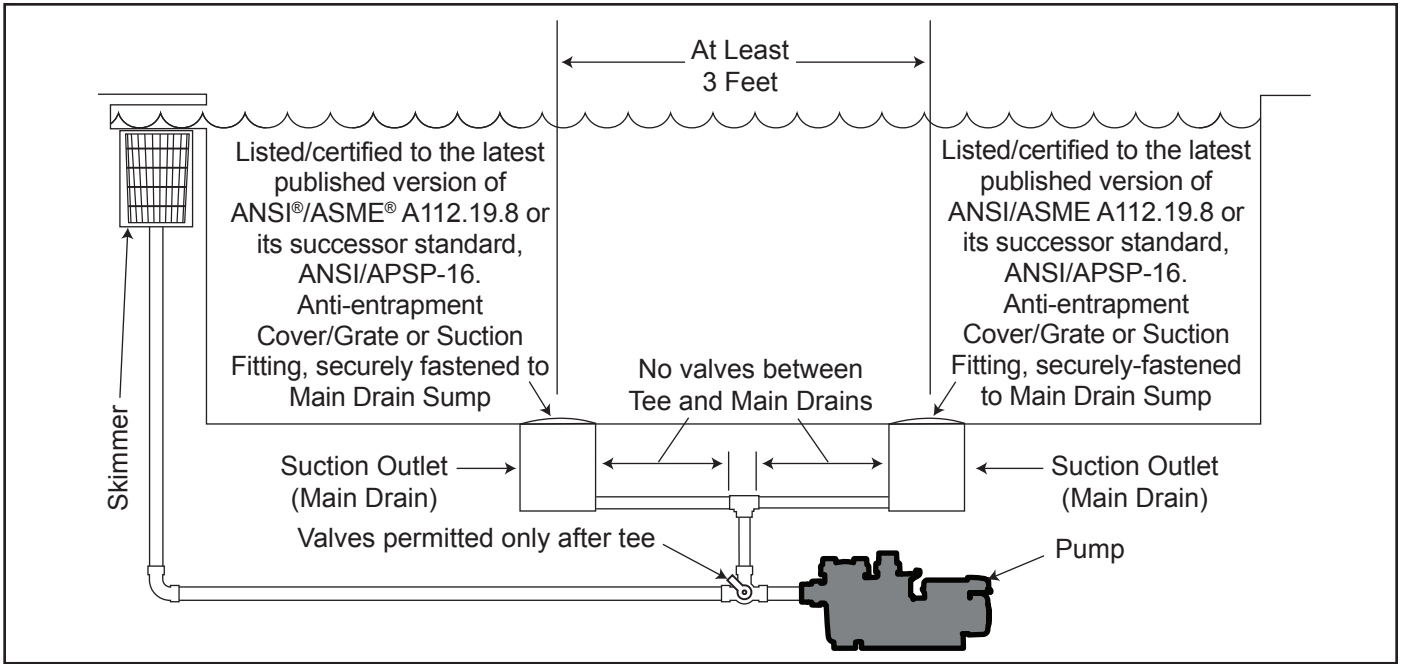


Figure 1. Number of Suction Outlets Per Pump

Section 2. General Installation Requirements

This document gives instructions for installing the Zodiac Sheer Descent and FiberFall water features. Read through the instructions completely before starting the procedure.

2.1 Preparation Instructions

During all phases of the installation, care should be taken not to damage the Sheer Descent waterfall. Keep the unit in the original packaging, laying on a flat surface and protected from sunlight until the site is prepared for permanent installation.

The Sheer Descent waterfall is available in standard sizes from 1 foot to 8 feet in length and is shipped complete with lip protector installed in the opening of the waterfall. See Figure 2. The lip protector keeps the spillway opening clean and damage free. **DO NOT REMOVE THE LIP PROTECTOR** until the startup of the pool equipment. The lip protector must be left in

the opening during the entire installation, or damage to the unit, which would effect its ability to perform, may occur.

To properly install this product please review the following installation and maintenance instructions.

2.2 Excavation and Steel Modifications

It is recommended that the area designated for the Sheer Descent waterfall be marked off with colored stakes, yellow construction ribbon, or similar material during the framing process, prior to excavation.

In preparation for the installation of the steel rebar, mark the EXACT area designated for the Sheer Descent waterfall. To allow room for notching the bond beam and installing the unit, offset the steel pattern by $4\frac{1}{2}$ inches (11.4 cm) below the original form and 1 inch (2.5 cm) on both ends of the Sheer Descent waterfall. For example, if the Sheer Descent waterfall is 3 feet (0.9 m) in length, offset the steel pattern to measure $4\frac{1}{2}$ inches (11.4 cm) down from the top of the frame and 50 inches (127 cm) in length (this allows 1 inch (2.5 cm) of space

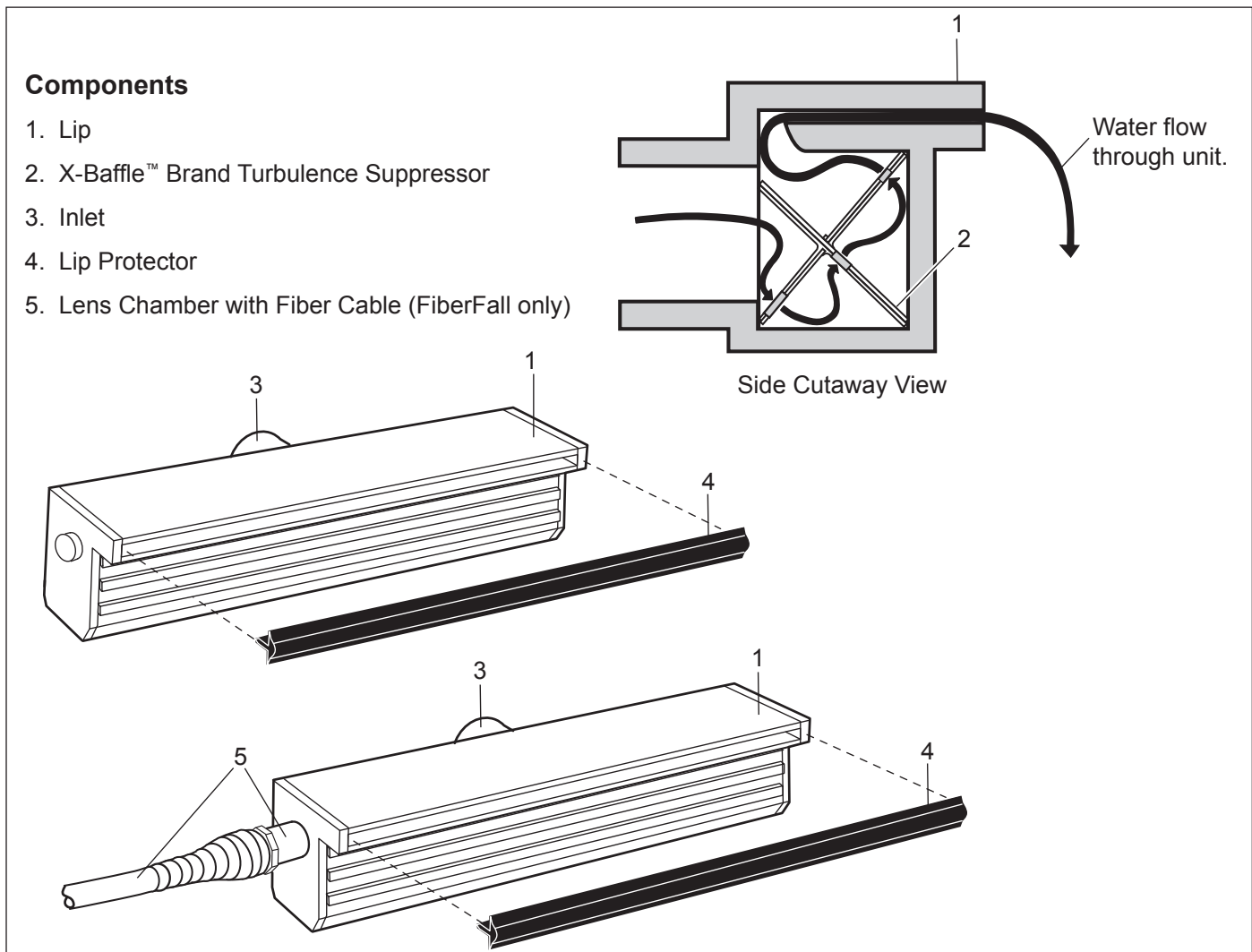


Figure 2. Sheer Descent and FiberFall Components

on each side of the Sheer Descent unit). For FiberFalls, offset the steel for the unit length plus 6 inches (15.2 cm) on the left to accommodate the lens chamber and fiber cable, or 6 inches (15.2 cm) on both sides for double-chambered units. See Figure 3.

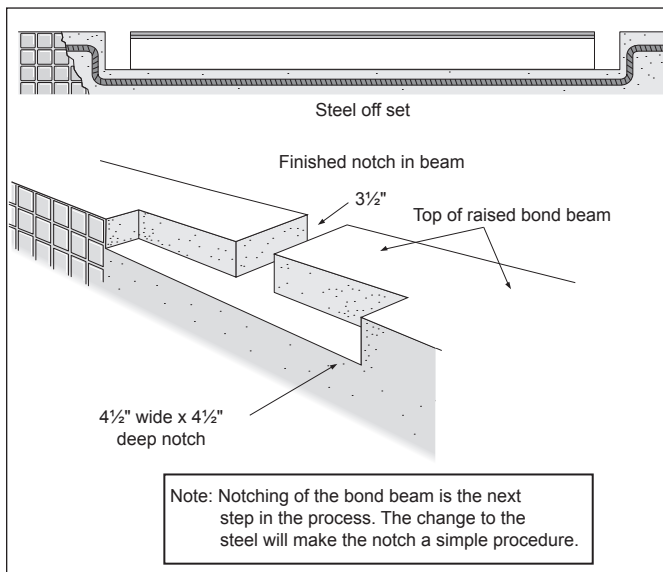


Figure 3. Excavation and Steel Installation

2.3 Concrete Installation and Modifications

For Sheer Descent, notch the bond beam 4-1/2 inches (11.4 cm) deep and 1 inch (2.5 cm) longer than the width of the unit. For FiberFalls, notch for unit length plus 6 inches (15.2 cm) on the left to accommodate the lens chamber and fiber cable, or 6 inches (15.2 cm) on both sides for double-chambered units. FiberFall also requires a 1 inch (2.5 cm) conduit stub-up in the beam for the fiber cable(s). See Figure 4.

For vinyl and fiberglass pools, configure block to match gunite beam installation.

After notching the beam (setting blocks), do the following steps: (Refer to Figure 5.)

1. Determine waterfall installation level with bender board.
2. Tack bender board at notch 1-3/8 inches (3.5 cm) below bottom of coping.
3. Cement back of board.

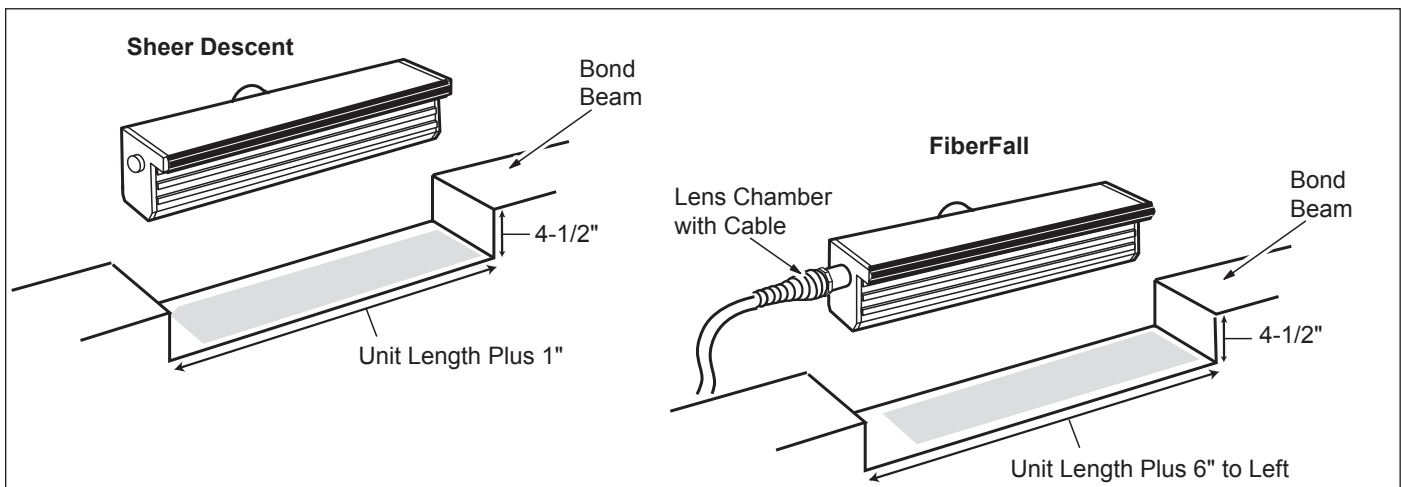


Figure 4. Concrete Installation

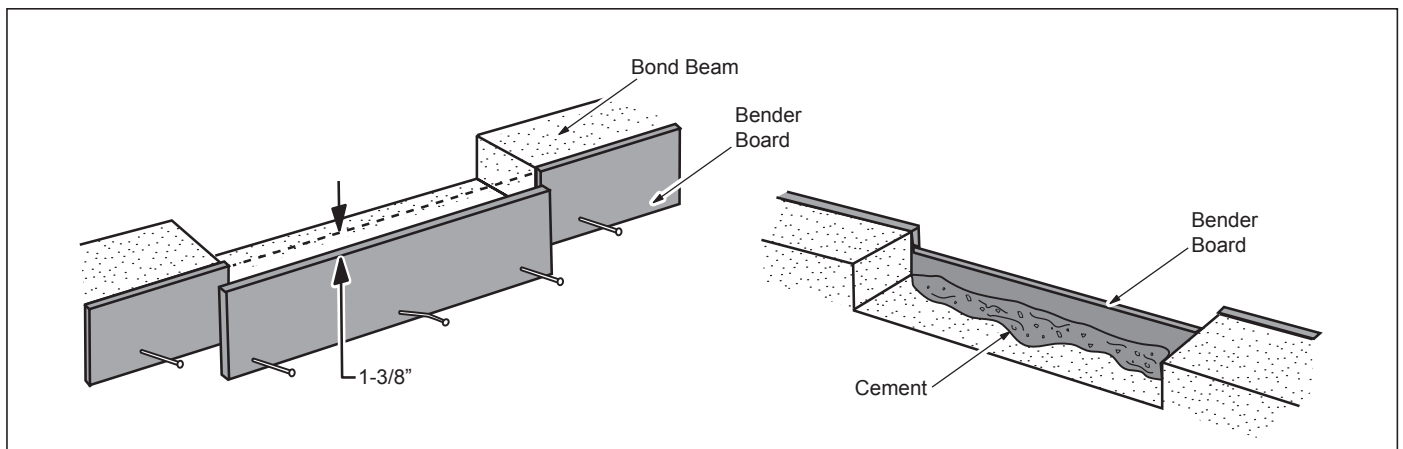


Figure 5. Install Bender Board

2.3.1 Positioning the Waterfall

CAUTION

The waterfall lip must be positioned correctly in order to achieve the designed sheer descent effect. Refer to Figure 6.

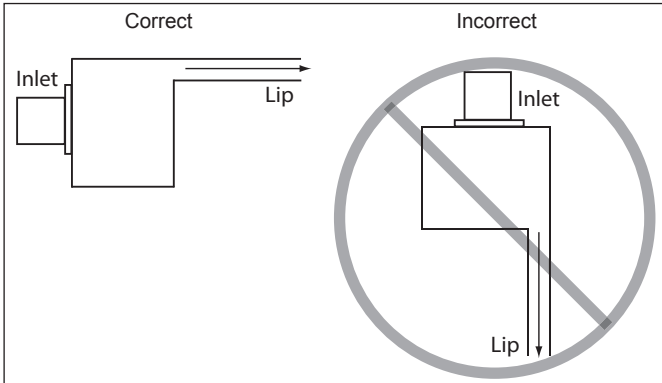


Figure 6. Position the Waterfall Correctly in the Notch

1. Create a bed of cement mortar in the notch to provide a solid base for the waterfall. Refer to Figure 7.
2. Set the unit into the mortar bed. The lip should extend 1 inch (2.5 cm) beyond gunite (or more

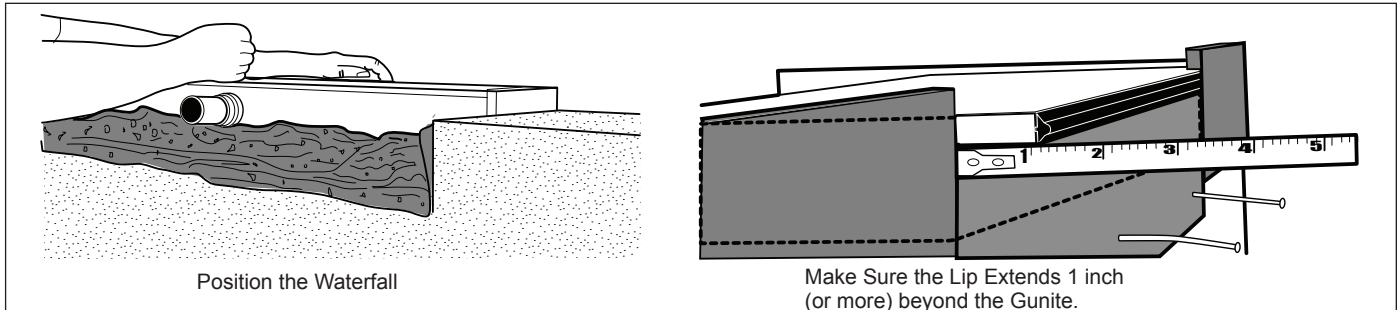


Figure 7. Positioning the Waterfall in Notch

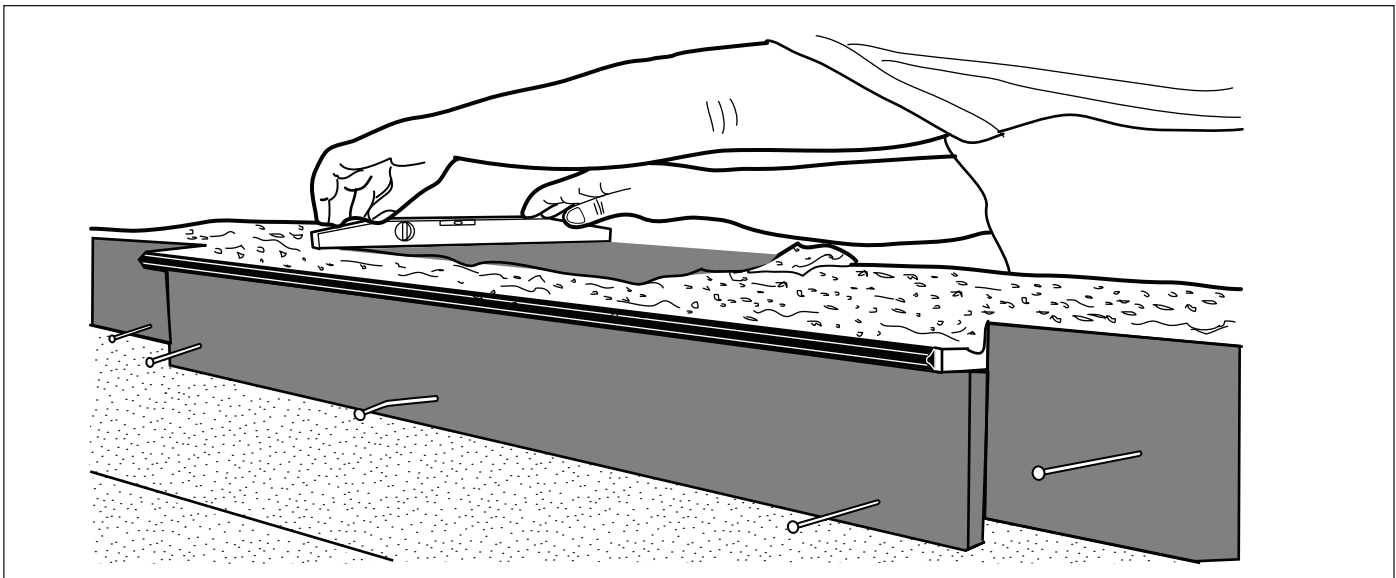


Figure 8. Slope Surface Towards Back of Waterfall

for thicker finishes like rock or brick) to ensure lip will be 1/4 inch (0.64 cm) past finished pool wall.

3. Tap in and level.
4. Apply 5/8 inches (1.6 cm) of cement finishing to top, sides and back of waterfall to encase unit. Slope top surface slightly towards back, 1/4 bubble on level. Refer to Figure 8.
5. Remove excess cement from front of waterfalls.

2.3.2 Finishing the Waterfall

1. Use thin-set to install coping material onto cement on top of waterfall. Tap in and level. Refer to Figure 9.
2. Remove bender board.

Section 3. Pump Sizing and Installation Options

NOTE Make sure the cuts in the beam are properly completed before proceeding.

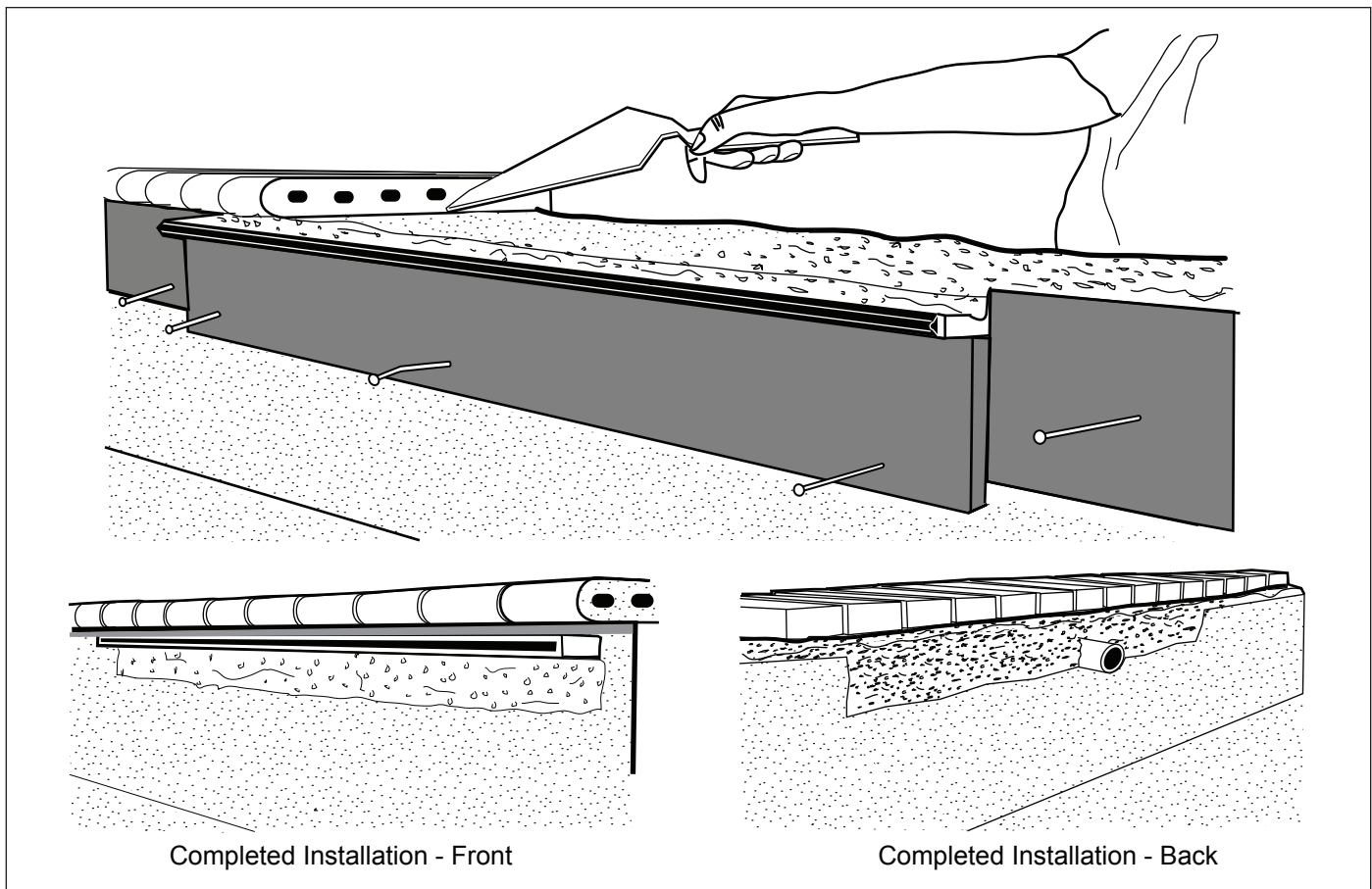


Figure 9. Finishing the WaterFall Installation

One of the advantages of the Sheer Descent waterfall is the ability to provide a continuous sheet of water with a minimum of water flow. A standard 4 foot model, for example, requires only 48 gallons per minute (gpm) to operate. In order to size your pump properly, refer to the Water Flow Requirement Chart. In most cases, a properly sized standard swimming pool pump will operate the Sheer Descent waterfall and filter the pool with little loss of total water turnover. As a general rule of thumb, the Sheer Descent waterfall requires approximately 12 gallons per minute per foot with little head loss. For a more dramatic effect, more water gallonage can be applied to project the waterfall further away from the wall. Refer to Figure 10.

NOTE When plumbing multiple falls, add the total length of waterfalls together to determine GPM required. e.g. When plumbing two 6 foot units, you now have 12 feet of waterfall, which requires 144 gallons per minute.

3.1 Existing Pool Filter Pump Installation

The installation of the Sheer Descent waterfall using the main pool filter pump is the most common plumbing system, due to the unique low flow aspect of the waterfall system. Simply plumb a three way valve on the return line, after the filter, and plumb the waterfall

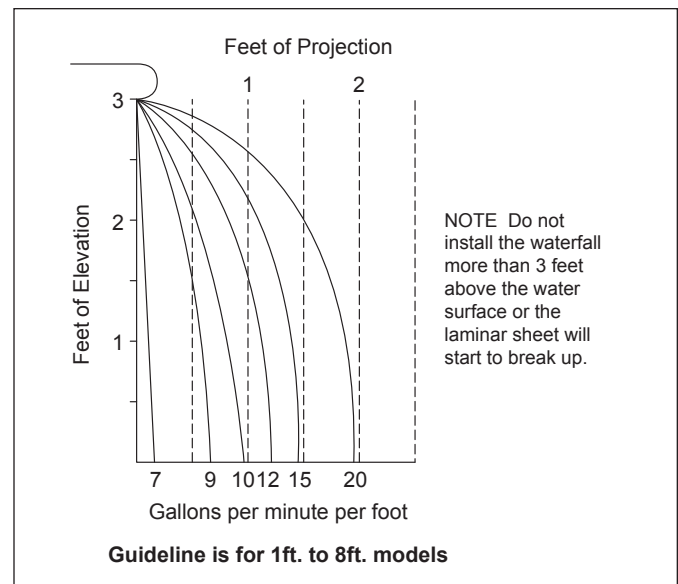


Figure 10. Water Flow Requirement Chart

feed line in a minimum of 1½ inches PVC schedule 40 pipe. Units above 5 feet in length need a minimum of 2 inch plumbing.

3.2 Separate Pump for the Sheer Descent Waterfall

If multiple waterfalls are being installed, or a Sheer Descent waterfall 6 feet or longer is being installed, we recommend installing a separate pump and filter.

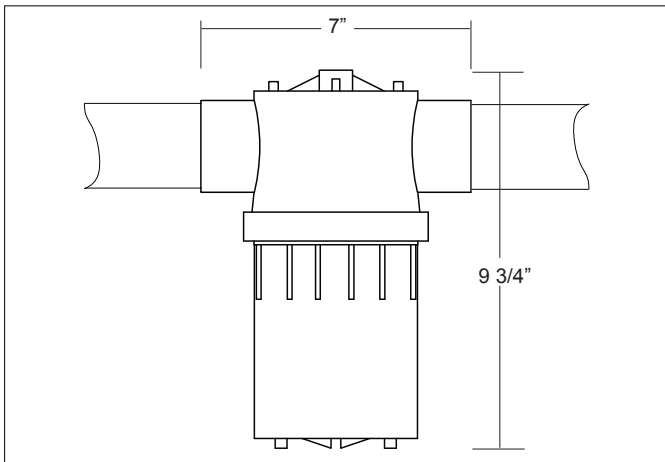


Figure 11. Sheer Descent Filter/Strainer (p/n 3456)

When plumbing a pump dedicated for use by the Sheer Descent, a separate suction line to the pool must be plumbed. This should be plumbed in a minimum of 2 inch schedule 40 pipe.

⚠ WARNING

The suction outlet (drain) assembly and its cover must comply with the latest version of ANSI/ASME A112.19.8, the standard for Suction Fittings For Use in Swimming Pools, Wading Pools, Spas, and Hot Tubs, or its successor standard, ANSI/APSP-16.

A Sheer Descent filter/strainer (p/n 3456), or equivalent, must be installed on the return side of the pump, between the pump and the waterfall. Refer to Figure 11. FILTER IS REQUIRED for separate pump installations, as large debris must not be allowed to enter the waterfall unit. For installations requiring up to 60 gallons (227 l) per minute, use one Sheer Descent filter/strainer. For higher water requirements, use two or more filters plumbed in parallel. A separate return line, with a three way valve plumbed in such a way that water can be

balanced between the waterfall and return back to the pool, is also required. See Figure 12.

Section 4. Plumbing the Sheer Descent Waterfall

4.1 Waterfall Return Line Plumbing

NOTE If the waterfall flow rate exceeds more that 40% of the filtration flow, a separate pump is recommended.

The waterfall feed line, from either the main filter pump or a separate pump, should be plumbed with a pipe size capable of handling the required flow rate of the waterfall. See Table 1.

NOTE Two inch plumbing or larger is suggested for waterfalls over 5 feet in total length. Refer to Hydraulic Guideline Chart, Table 1, for specifications. The feed line should end near the back of the bond beam near the center of the waterfall location.

Table 1. Hydraulic Guideline Chart

Suction (SUC) and Discharge (DIS) Water Flow Chart for PVC		
Pipe Size	Max SUC Flow*	Max DIS Flow**
1½"	37 gpm (140 lpm)	50 gpm (189 lpm)
2"	62 gpm (235 lpm)	82 gpm (310 lpm)
2½"	88 gpm (333 lpm)	117 gpm (443 lpm)
3"	136 gpm (515 lpm)	180 gpm (681 lpm)
4"	234 gpm (886 lpm)	313 gpm (1185 lpm)

* Max SUC Flow based on 6 feet (1.8 m) per second velocity.
** Max DIS Flow based on 8 feet (2.4 m) per second velocity.

It is important to have a valve located in a convenient location on the feed line to regulate the flow of water to

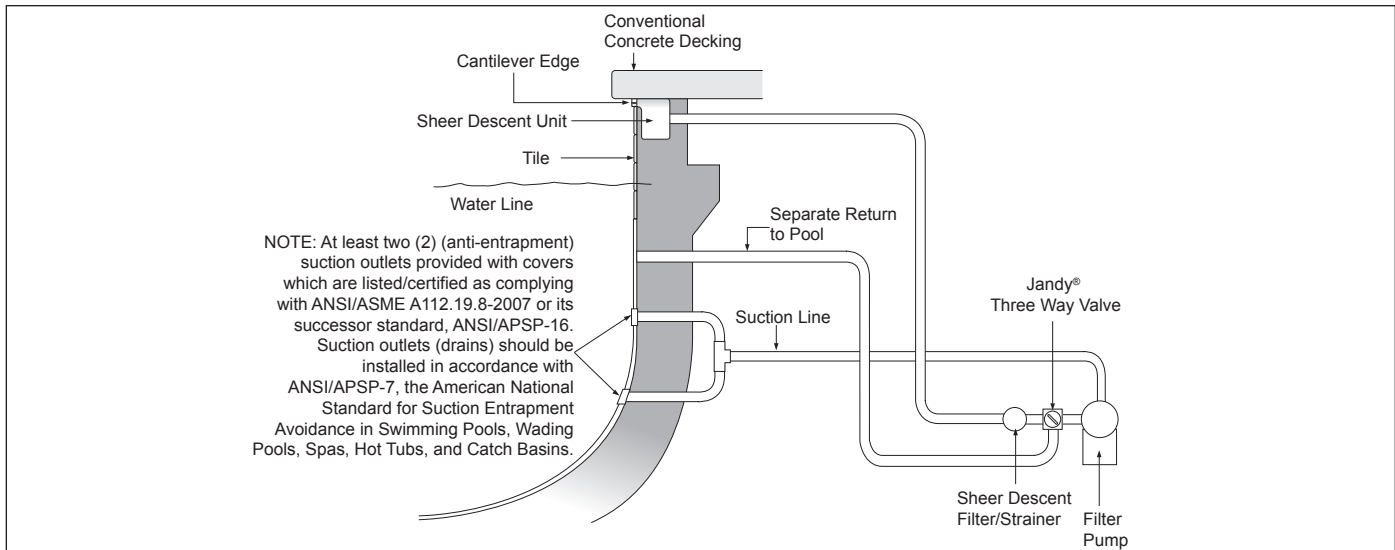


Figure 12. Filter Pump Installation

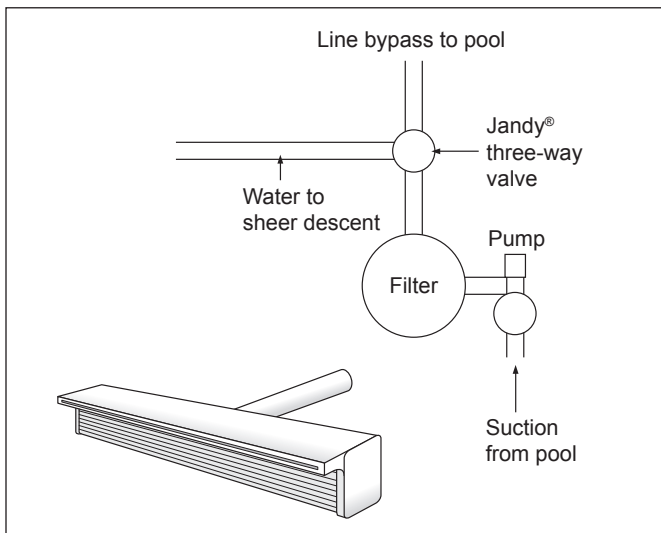


Figure 13. Three-Way Valve Plumbing Setup

the Sheer Descent waterfall. A Jandy three-way valve is suggested to be used as the “T” from the return line of the pool to the Sheer Descent waterfall. A properly plumbed valve in that position will allow full control of the water to the Sheer Descent, as well as to the rest of the pool. In most cases, this valve can be located after the filter near the equipment pad. See Figure 13.

NOTE All water to the Sheer Descent must be filtered. Those systems using a separate pump must use our separate energy filter (p/n 3456) or equivalent to prevent debris from entering the Sheer Descent unit.

4.2 Plumbing a Single Unit

All back feed Sheer Descent waterfalls have the equivalent of standard 1½ inch inside and 2 inches outside pipe protruding from the back of the unit. For waterfalls 1 through 8 feet in length, this fitting is located in the center of the back of the waterfall.

Standard 1½ inch and 2 inch PVC fittings will glue in and over the 1½ inch slip by 2 inch insert fitting provided on all Sheer Descent waterfalls.

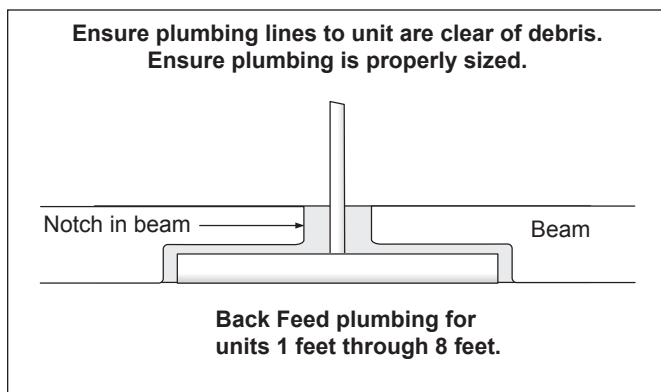


Figure 14. Single Sheer Descent Plumbing Setup

NOTE A flow control valve must be plumbed in a convenient location on the supply line for regulation of the water supply to the unit. See Figure 14.

4.3 Plumbing Multiple Units

Plumbing two or more Sheer Descent waterfalls together is done in exactly the same way as the installation procedure for a single unit, explained previously, with the exception that additional two-way valves are required for each Sheer Descent waterfall. See Figure 15. The loop plumbing option can also be used for two or more units. See Figure 16.

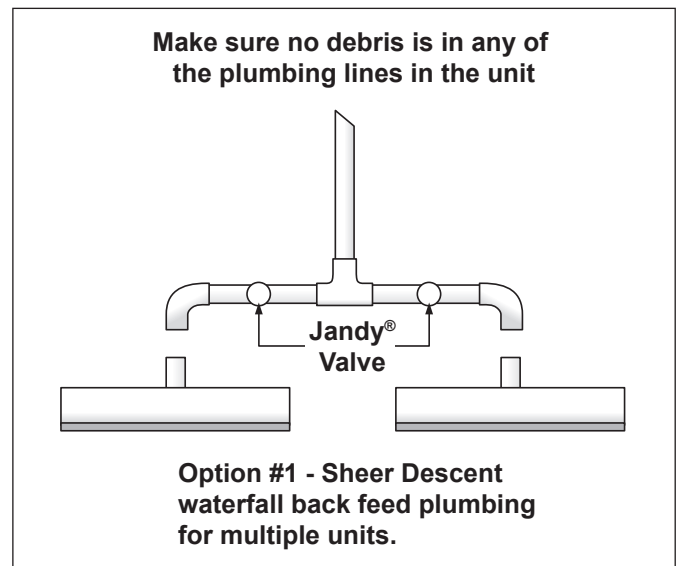


Figure 15. Multiple Sheer Descent Plumbing Setup

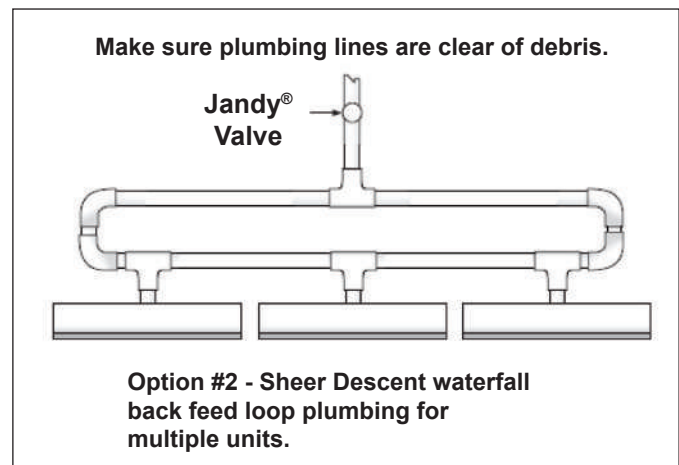


Figure 16. Multiple Sheer Descent Loop Plumbing Setup

4.4 Cutting the Lip for Radius or Custom Installations

The extended lip Sheer Descent waterfall can be custom cut in the field to meet specific needs, such as radius, irregular shapes, etc. In order to custom fit the waterfall, carefully measure the amount of extended lip to be

removed. Remember to leave enough room for tile and thin set, so the deepest edge of the radius cut will not be recessed from the tile line.

NOTE Never remove more than 4" (10.2 cm) of the extended lip, always leaving a minimum of 2" (5.1 cm) of lip. See Figure 17.

Remove the lip protector prior to cutting the waterfall. Remember to **REPLACE THE LIP PROTECTOR** after cutting the radius to protect the fall from construction debris.

The waterfall must be cut with a coarse tooth saw blade. Caution must be taken to make the cut as smooth as possible to avoid a jagged edge. After cutting the waterfall, insert the spacer removal tool (included in product packaging) 1 inch (2.5 cm) into the waterfall opening. Move the tool around the opening. If the tool hits a support, use the notch in the tool to remove the support. See Figure 18. Make sure all supports within 1 inch (2.5 cm) of lip opening are removed. **DO NOT LEAVE THE LOOSE SUPPORT SECTION IN THE WATERFALL.**

After removing sections of the supports, use a 1/8 inch (0.32 cm) flat file and coarse grade sandpaper to smooth the edges of the waterfall, follow with a fine grade of sandpaper to get the edge as smooth as possible. A sanding block is recommended to avoid rounding the edges of the waterfall.

Insert the lip protector back into the opening and

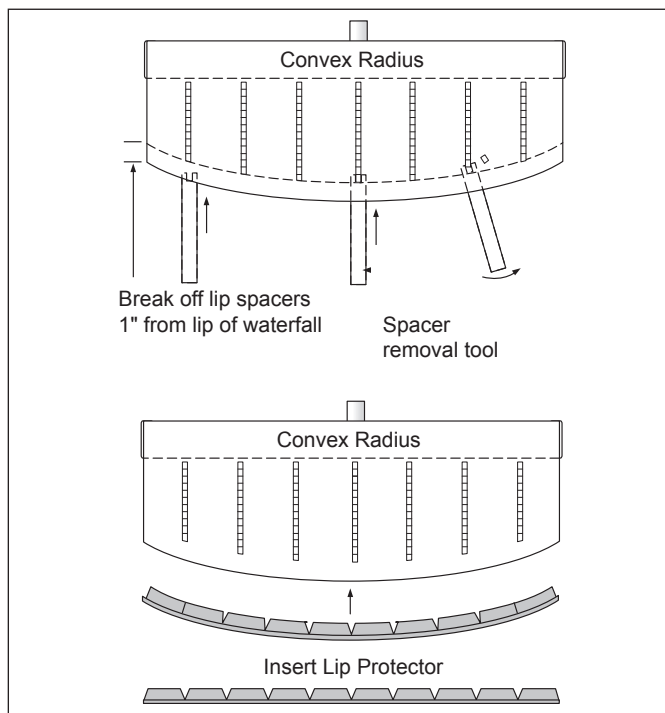


Figure 17. Custom Installations - Convex Radius

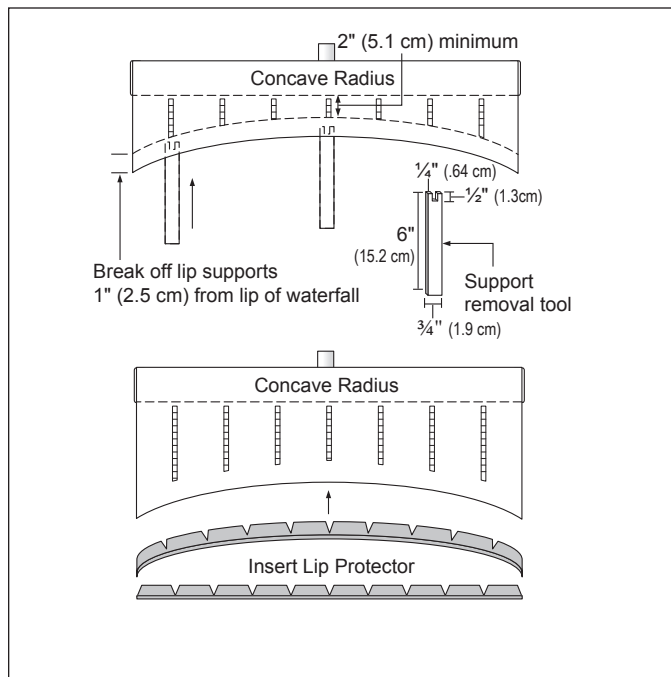


Figure 18. Custom Installations - Concave Radius

continue installation, following the installation instructions for the standard Sheer Descent waterfall.

4.5 Sheer Descent Waterfall Radius Cut Guideline

NOTE Never remove more than 4" (10.2 cm) of the extended lip, always leaving a minimum of 2" (5.1 cm) of lip. The top of the beam, where the Sheer Descent unit is to be installed, should be a minimum of 9" (22.9 cm) thick. When designing custom curves for the Sheer Descent Extended Lip models, please refer to Table 2, for radius guidelines to select the correct Sheer Descent model. Super Radius models accommodate very tight radius curves and are available by special order. Refer to Figure 19.

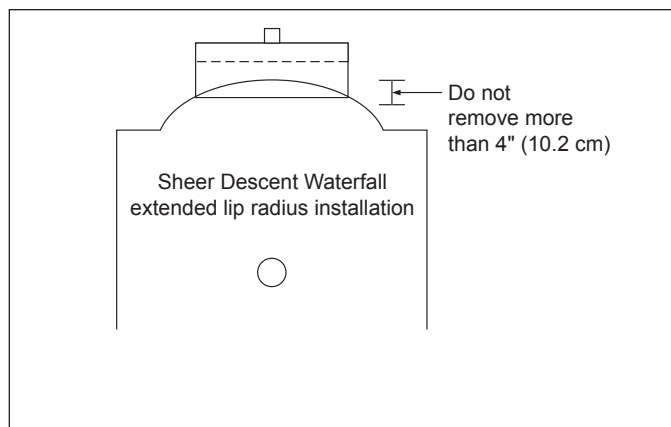


Figure 19. Extended Lip Radius Installation

Table 2. Sheer Descent Radius Chart

Use the chart below to ensure the Sheer Descent length, lip and radius are available.

		S h e e r D e s c e n t L e n g t h								
		12"	18"	24"	36"	48"	60"	72"	84"	96"
R a d i u s S i z e	1'	6" Lip	6" Lip	Custom	Custom	N/A	N/A	N/A	N/A	N/A
	1.5'	6" Lip	6" Lip	6" Lip	Custom	Custom	N/A	N/A	N/A	N/A
	2'	6" Lip	6" Lip	6" Lip	12" Lip	Custom	Custom	N/A	N/A	N/A
	2.5'	6" Lip	6" Lip	6" Lip	12" Lip	Custom	Custom	Custom	N/A	N/A
	3'	6" Lip	6" Lip	6" Lip	6" Lip	12" Lip	Custom	Custom	Custom	N/A
	3.5'	6" Lip	6" Lip	6" Lip	6" Lip	12" Lip	Custom	Custom	Custom	Custom
	4'	6" Lip	6" Lip	6" Lip	6" Lip	12" Lip	12" Lip	Custom	Custom	Custom
	4.5'	6" Lip	6" Lip	6" Lip	6" Lip	12" Lip	12" Lip	Custom	Custom	Custom
	5'	6" Lip	6" Lip	6" Lip	6" Lip	12" Lip	12" Lip	Custom	Custom	Custom
	5.5'	6" Lip	6" Lip	6" Lip	6" Lip	6" Lip	12" Lip	Custom	Custom	Custom
	6'	6" Lip	6" Lip	6" Lip	6" Lip	6" Lip	12" Lip	12" Lip	Custom	Custom
	6.5'	6" Lip	6" Lip	6" Lip	6" Lip	6" Lip	12" Lip	12" Lip	Custom	Custom
	7'	6" Lip	6" Lip	6" Lip	6" Lip	6" Lip	12" Lip	12" Lip	Custom	Custom
	7.5'	6" Lip	6" Lip	6" Lip	6" Lip	6" Lip	12" Lip	12" Lip	Custom	Custom
	8'	6" Lip	6" Lip	6" Lip	6" Lip	6" Lip	6" Lip	12" Lip	12" Lip	Custom
	8.5'	6" Lip	6" Lip	6" Lip	6" Lip	6" Lip	6" Lip	12" Lip	12" Lip	Custom
	9'	6" Lip	6" Lip	6" Lip	6" Lip	6" Lip	6" Lip	12" Lip	12" Lip	Custom
	9.5'	6" Lip	6" Lip	6" Lip	6" Lip	6" Lip	6" Lip	12" Lip	12" Lip	12" Lip
	10'	6" Lip	6" Lip	6" Lip	6" Lip	6" Lip	6" Lip	12" Lip	12" Lip	12" Lip
	10.5'	6" Lip	6" Lip	6" Lip	6" Lip	6" Lip	6" Lip	12" Lip	12" Lip	12" Lip
11'	6" Lip	6" Lip	6" Lip	6" Lip	6" Lip	6" Lip	6" Lip	12" Lip	12" Lip	
11.5'	6" Lip	6" Lip	6" Lip	6" Lip	6" Lip	6" Lip	6" Lip	12" Lip	12" Lip	
12'	6" Lip	6" Lip	6" Lip	6" Lip	6" Lip	6" Lip	6" Lip	12" Lip	12" Lip	
12.5'	6" Lip	6" Lip	6" Lip	6" Lip	6" Lip	6" Lip	6" Lip	12" Lip	12" Lip	
13'	6" Lip	6" Lip	6" Lip	6" Lip	6" Lip	6" Lip	6" Lip	12" Lip	12" Lip	

Section 5. Start Up

5.1 Start Up Instructions

After the swimming pool is completed and filled with water, the Sheer Descent waterfall is ready to be activated.

1. REMOVE THE LIP PROTECTOR NOW. This must be done before water is diverted to the waterfall. Also, ensure the opening is clean and clear of any debris.
2. Turn the pump on. If the waterfall is plumbed with the main pool filter pump, allow the pump to run a few minutes to clear the lines of debris.
3. Slowly open the regulating valve and supply water to the Sheer Descent unit. Adjust the flow of water until the sheet of water extends out onto the pool surface.
4. Allow for air to clear the lines. This should only take a few minutes. The Sheer Descent waterfall unit should now provide a clear, continuous sheet of water.
5. If a separate pump was installed, make sure all valves are open prior to starting the pump. ENSURE ALL LINES ARE CLEAR OF DEBRIS BEFORE STARTING. Start the pump and allow water to circulate through the separate filter system and return line. Slowly open the valve to the waterfall and regulate to the desired setting. Allow a few minutes to purge all air from the lines.

Section 6. General Maintenance and Troubleshooting

Before proceeding, make sure the pump system is fully functional and activated. Also, ensure all air is purged from plumbing lines.

6.1 Troubleshooting

Problem	Cause	Solution
The waterfall is not completely smooth. A gap or gaps in the sheet of the waterfall is present.	Debris has lodged in the opening of the waterfall.	Use a credit card or similar object and gently position it inside the opening while the waterfall is on. Slide it along the opening to the point where the debris is located and gently pull the debris through the opening. Do not use a metal tool.
	Dirty filter, pump basket or both has slowed down the flow to below proper standards.	Clean filter, pump basket or both.
	Waterfall flow valve(s) are out of adjustment.	Adjust water flow valve(s).
	Waterfall radius was field cut and spacers were not removed.	Refer to Section 4.4 for proper spacer removal instructions.
Where multiple waterfalls are installed, one of the waterfalls is stronger than the other(s).	The water supplied to the units is not properly balanced.	Adjust the valves for each waterfall until the proper effect and balance is achieved. See Figure 15 for valve location.
	Improper loop plumbing installation.	Correct loop plumbing installation. Refer to Figure 16 for proper loop plumbing setup.

6.2 Freeze Protection and Winterizing

In order to prevent freeze damage to the system, the plumbing to the unit must be installed so water drains easily from the system. The Sheer Descent and Fiber Fall waterfalls have been engineered to allow only a minimum of water to stay in the unit as long as the plumbing is installed properly. Blow out all water from the pipes and Sheer Descent or Fiber Fall unit. Follow the normal procedures for winterizing.

Zodiac Pool Systems, Inc.

2620 Commerce Way, Vista, CA 92081
1.800.822.7933 | www.ZodiacPoolSystems.com

Zodiac Pool Systems Canada, Inc.

2115 South Service Road West, unit 3
Oakville, ON L6L 5W2
1.888.647.4004 | www.zodiacpoolsystems.ca

©2015 Zodiac Pool Systems, Inc. H0347100 Rev D
ZODIAC® is a registered trademark of Zodiac International, S.A.S.U., used under license.

All trademarks referenced herein are the property of their respective owners.



Cascades Sheer Descent® et FiberFall® Zodiac



AVERTISSEMENT

POUR VOTRE SÉCURITÉ – L'installation et l'entretien de ce produit doivent être effectués par un technicien autorisé et qualifié pour la réparation des équipements de piscine par les autorités compétentes du territoire dans lequel ledit produit est installé lorsque de telles exigences locales ou provinciales sont édictées. Si aucune exigence locale, provinciale ou territoriale n'est disponible, l'agent d'entretien doit être un professionnel avec suffisamment d'expérience dans l'installation et la maintenance d'équipement de piscine pour appliquer correctement les consignes du présent manuel. Avant d'installer ce produit, lisez toutes les consignes de mise en garde et les instructions incluses avec ce produit et respectez-les. Le non-respect des avertissements et des instructions pourrait causer des dommages matériels, des blessures graves ou même un décès. L'installation et/ou l'utilisation inappropriée annuleront la garantie.

Table des matières

Section 1. Consignes de sécurité importantes . 20	Section 4. Raccordement de la cascade Sheer Descent 28
1.1 Consignes de sécurité 20	4.1 Conduite de retour pour la cascade 28
Section 2. Exigences générales pour l'installation 24	4.2 Raccordement d'une cascade unique 29
2.1 Consignes pour la préparation 24	4.3 Raccordement de plusieurs cascades 29
2.2 Travaux d'excavation et modifications à l'acier d'armature 24	4.4 Coupe du bord pour le rayon ou les installations personnalisées 29
2.3 Installation du béton et modifications 25	4.5 Directives pour la coupe du rayon de la cascade Sheer Descent 30
2.3.1 Positionnement de la cascade 26	Section 5. Démarrage 30
2.3.2 Finition de la cascade 26	5.1 Consignes pour le démarrage 30
Section 3. Puissance de la pompe et options d'installation 26	Section 6. Entretien général et dépannage 32
3.1 Installation avec une pompe existante 27	6.1 Dépannage 32
3.2 Installation avec une pompe dédiée pour la cascade Sheer Descent 27	6.2 Protection contre le gel et hivernage 32

Section 1. Consignes de sécurité importantes

LIRE ET SUIVRE TOUTES LES CONSIGNES

1.1 Consignes de sécurité

Tous les travaux doivent être effectués par un entrepreneur qui est autorisé et qualifié en matière d'équipement de piscine et qui se conforme à tous les codes nationaux, d'État, provinciaux, territoriaux et locaux. Lors de l'installation et de l'utilisation de cet équipement, des précautions de base doivent toujours être suivies, entre autres :

AVERTISSEMENT

RISQUE DE PIÉGEAGE DANS LA CONDUITE D'ASPIRATION QUI, SI NON ÉVITÉ, POURRAIT ENTRAÎNER DES BLESSURES GRAVES OU LA MORT. Ne pas bloquer l'aspiration de la pompe, car ceci peut causer des blessures graves ou un décès. Les sorties d'aspiration (drain) et leurs couvercles être certifiés par la dernière édition publiée de la norme ANSI®/ASME® A112.19.8 ou sa norme subséquente, ANSI/APSP-16.

AVERTISSEMENT

Pour réduire le risque de blessure, ne pas permettre aux enfants d'utiliser ce produit.

AVERTISSEMENT

Pour réduire le risque de dommages matériels et de blessures, ne pas essayer de changer la position de la vanne (multivoies, de glissement ou de passage intégral) de lavage à contre-courant pendant le fonctionnement de la pompe.

AVERTISSEMENT

En raison du risque potentiel d'incendie, de décharge électrique ou blessures aux personnes, l'équipement Zodiac doit être installé en conformité avec le Code national de l'électricité (NEC®), tous les codes locaux d'électricité et de sécurité et à la Loi sur la sécurité professionnelle et la santé (OSHA). Des copies du Code national de l'électricité pourront être commandées en ligne de l'Association nationale de la protection contre les incendies (NFPA®) sur le site Web www.nfpa.org ou en appelant le +1 (617) 770-3000 ou en communiquant avec votre agence locale d'inspection gouvernementale.

AVERTISSEMENT

Un équipement mal installé peut être défaillant et peut ainsi causer des blessures graves ou des dommages matériels.

AVERTISSEMENT

- Ne pas raccorder le système à un réseau urbain de distribution d'eau non réglementé ou à une autre source externe d'eau sous pression produisant des pressions supérieures à 241 kPa (35 PSI).
- Le piégeage d'air dans le circuit peut provoquer une ouverture explosive du couvercle du filtre pouvant causer un décès, de graves blessures personnelles ou des dommages matériels. S'assurer que tout l'air est bien expulsé du système avant de l'utiliser.

 **AVERTISSEMENT**

Pour réduire les risques de blessures graves, voire de mort, le filtre et/ou la pompe ne doivent pas être soumis au test de mise sous pression du système de tuyauterie.

Les codes locaux peuvent exiger l'application d'un essai de pression au système de tuyauterie de la piscine. Ces exigences ne s'appliquent généralement pas à l'équipement de piscine, tel que les filtres ou les pompes.

L'équipement de piscine Zodiac a fait l'objet d'essais de mise sous pression en usine.

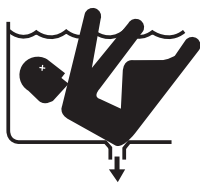
Toutefois, si cet AVERTISSEMENT ne peut pas être suivi et que les essais de mise sous pression du système de tuyauterie doivent inclure le filtre et/ou la pompe, **S'ASSURER QUE LES CONSIGNES DE SÉCURITÉ SUIVANTES SONT RESPECTÉES :**

- Vérifier les serre-joints, les boulons, les couvercles, les bagues de retenue et les accessoires du système pour s'assurer qu'ils sont convenablement installés et fixés avant d'effectuer un essai.
- **ENLEVER TOUT L'AIR** du système avant l'essai.
- La pression de l'eau pour l'essai ne doit **PAS DÉPASSER 241 kPa (35 PSI)**.
- La température de l'eau pendant l'essai **NE DOIT PAS DÉPASSER 38°C (100°F)**.
- Limiter l'essai à 24 heures. Après le test, vérifier visuellement le système pour s'assurer qu'il est prêt à fonctionner.
- **Avis** : Ces paramètres s'appliquent uniquement à l'équipement Zodiac. Pour l'équipement non fabriqué par Zodiac, consulter le fabricant.

 **AVERTISSEMENT**

Des déversements et vapeurs chimiques peuvent affaiblir l'équipement de la piscine ou du spa. La corrosion peut entraîner la défaillance des filtres et autre équipement, ce qui peut entraîner des blessures graves ou des dommages matériels. Ne pas entreposer de produits chimiques de piscine près de votre équipement.

CONSERVER CES DIRECTIVES

 **AVERTISSEMENT**


DANGER D'ASPIRATION. Peut provoquer de graves blessures ou la mort. Ne pas utiliser cette pompe pour des pataugeoires, des piscines peu profondes ou des spas ayant des canalisations d'évacuation à la base, sauf si la pompe est connectée à au moins deux (2) orifices d'aspiration qui fonctionnent.

 **AVERTISSEMENT**

L'aspiration de la pompe est dangereuse et peut piéger, noyer ou éviscérer les baigneurs. Ne pas utiliser ni faire fonctionner les piscines, les spas ou les jacuzzis si un couvercle de sortie d'aspiration est absent, brisé ou instable. Les directives suivantes fournissent l'information d'installation de la pompe qui permet de réduire le plus possible les risques de blessures aux utilisateurs des piscines, des spas et des jacuzzis :

Protection contre le piégeage — Le système d'aspiration de la pompe doit fournir une protection contre les dangers de piégeage par aspiration.

Couvercles de bouches d'aspiration — Toutes les bouches d'aspiration doivent être correctement installées, et les couvercles bien vissés en place. Tous les couvercles de bouche d'aspiration (canalisation d'évacuation) doivent être entretenus adéquatement. Ils doivent être remplacés s'ils sont fissurés, cassés ou absents. Les couvercles des drains doivent être énumérés/certifiés par la dernière édition publiée de l'ANSI®/ASME® A112.19.8 ou de la norme subséquente, ANSI/APSP-16. La piscine doit être fermée et les baigneurs doivent avoir l'interdiction d'y entrer jusqu'à ce que tout couvercle de conduite d'évacuation fissuré, brisé ou manquant soit changé. Ne pas utiliser la piscine ou le spa jusqu'à ce que réalise la réparation ou le remplacement.

Nombre de bouches d'aspiration par pompe - Fournir au moins deux (2) bouches d'aspiration hydrauliquement équilibrées, avec couvercles, en guise de bouches d'aspiration pour chaque conduite d'aspiration de pompe de circulation. Les centres des bouches d'aspiration sur toute conduite d'aspiration doivent être à au moins un (1) mètre (3 pi) l'une de l'autre, de centre en centre. Voir Figure 1.

Le système doit être conçu pour comprendre au moins deux bouches d'aspiration (drains) connectées à la pompe chaque fois que la pompe fonctionne. Cependant, si deux (2) bouches d'aspiration aboutissent à une seule conduite d'aspiration, cette dernière peut être équipée d'un robinet qui coupera les deux bouches d'aspiration de la pompe. Le système doit être conçu de manière à ne pas permettre une fermeture ou un isolement distinct ou indépendant de chaque drain. Voir la Figure 1.

D'autres pompes peuvent être raccordées à une conduite d'aspiration unique à condition que les exigences susmentionnées soient remplies.

Vitesse de l'eau — La vitesse maximale de l'eau passant par la sortie d'aspiration et son couvercle, pour toute sortie d'aspiration, ne doit pas dépasser le débit maximal de l'assemblage et de son couvercle pour lequel ils ont été conçus. Le débit à travers les autres bouches d'aspiration (drains) et leurs couvercles doit être conforme à la dernière version ANSI®/ASME® A112.19.8 publiée, la norme pour les raccords d'aspiration à utiliser dans les piscines, pataugeoires, spas et cuves thermales, ou à la norme qui lui succède, ANSI/ASME APSP-16.

Essais et certification - Les couvercles des bouches d'aspiration doivent avoir fait l'objet d'essais de la part d'un laboratoire reconnu au niveau national et jugés conformes à la dernière version publiée de la norme ANSI/ASME A112.19.8, la norme pour les raccords d'aspiration à utiliser dans les applications de piscine, de pataugeoire, de spa et de cuve thermique, ou à la norme qui lui succède, ANSI/APSP-16.

Raccords — Les raccords limitent le débit, pour une plus grande efficacité, utiliser le moins de raccords possibles (mais au moins deux (2) bouches d'aspiration).

Éviter les raccords qui pourraient causer le piégeage d'air.

Les raccords d'aspiration du nettoyeur à piscine doivent être conformes aux normes de l'Association Internationale de plomberie et des codes mécaniques (IAPMO).

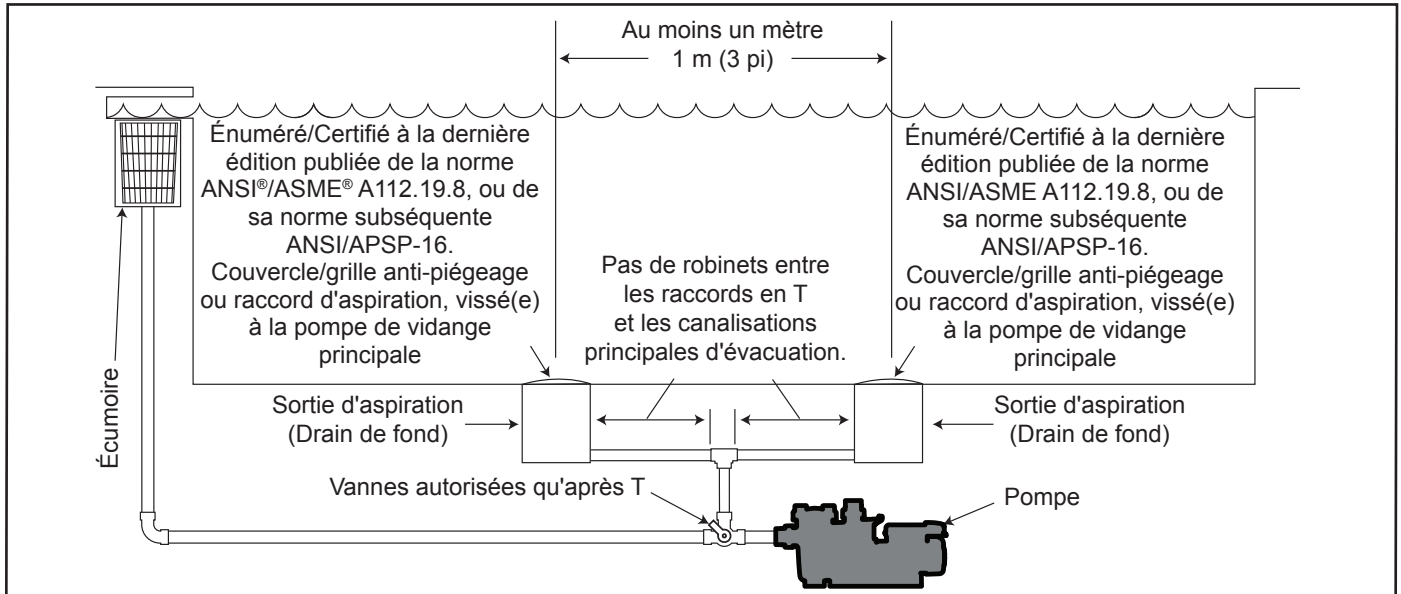


Figure 1. Nombre de sorties d'aspiration par pompe

Section 2. Exigences générales pour l'installation

Ce document fournit des consignes pour l'installation des cascades Sheer Descent et FiberFall Zodiac. Lire attentivement toutes les consignes avant le démarrage de la procédure.

2.1 Consignes pour la préparation

Pendant toutes les phases de l'installation, veiller à ne pas endommager la cascade Sheer Descent. Garder l'appareil dans son emballage d'origine, sur une surface plane, et protégé des rayons du soleil jusqu'à ce que le site soit prêt pour une installation permanente.

La cascade Sheer Descent est disponible dans des dimensions standard de 30 cm (1 pied) à 2,4 m (8 pieds) de longueur et est livrée complète avec le protecteur de bord installé dans l'ouverture de la cascade. Voir la Figure 2. Le protecteur de bord garde le déversoir propre et exempt de dommage. **NE PAS RETIRER LE PROTECTEUR DE BORD** jusqu'au démarrage de l'équipement de la piscine. Le protecteur de bord doit être laissé dans l'ouverture pendant toute

l'installation, ou des dommages à l'unité, qui affecteraient son rendement, pourraient survenir.

Pour installer correctement ce produit, veuillez revoir les consignes d'installation et d'entretien.

2.2 Travaux d'excavation et modifications à l'acier d'armature

Il est recommandé que l'endroit désigné pour la cascade Sheer Descent soit délimité par des piquets de couleur, un ruban jaune de construction ou des matériaux similaires au cours du processus de coffrage, avant l'excavation.

En préparation de l'installation des barres d'armature en acier, marquer l'endroit PRÉCIS désigné pour la cascade Sheer Descent. Pour laisser de la place aux encoches dans la poutre de maçonnerie et pour l'installation de l'appareil, décaler le modèle en acier de 11,4 cm (4,5 pouces) en dessous de la forme originale et de 2,5 cm (1 pouce) sur les deux extrémités de la cascade Sheer Descent. Par exemple, si la cascade Sheer Descent est de 0,9 m (3 pieds) de longueur, décaler le modèle en acier de 11,4 cm (4,5 pouces) à partir du haut du coffrage et de 127 cm (50 pouces) de longueur (ceci permet de laisser un espace de 2,5 cm (1 pouce) de chaque côté de la

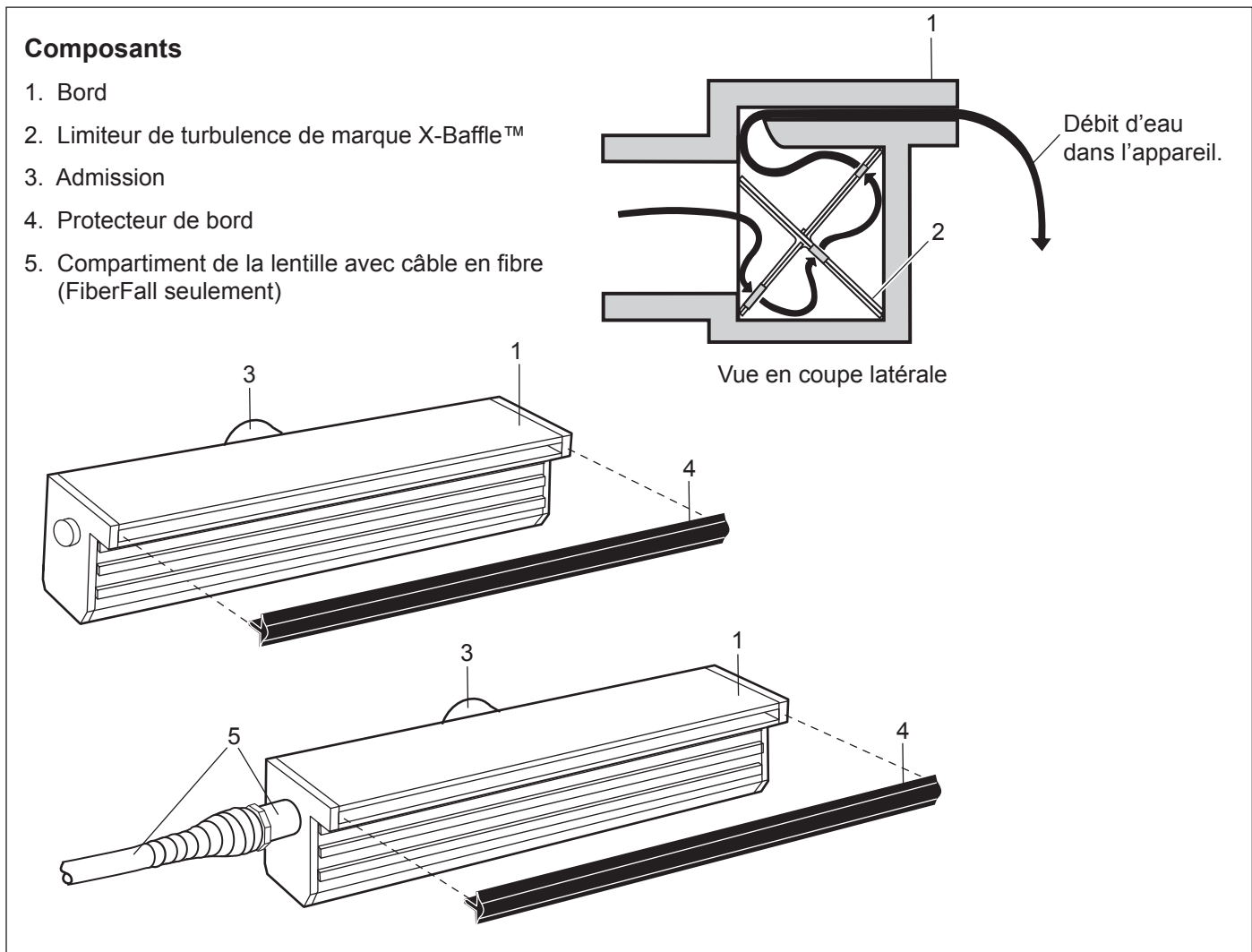


Figure 2. Composants des cascades Sheer Descent et FiberFall

cascade Sheer Descent). Pour les cascades FiberFall, décaler le modèle correspondant à la longueur de l'appareil, plus 15,2 cm (6 pouces) sur la gauche pour le compartiment de la lentille et le câble de fibre ou 15,2 cm (6 pouces) sur les deux côtés pour les appareils à double compartiment. Voir la Figure 3.

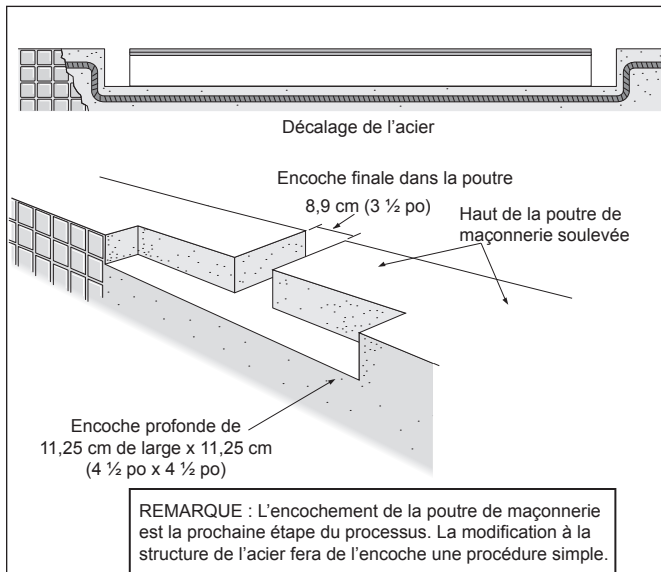


Figure 3. Travaux d'excavation et installation de la structure d'acier

2.3 Installation du béton et modifications

Pour la cascade Sheer Descent, faire une encoche dans la poutre de maçonnerie de 11,4 cm (4,5 pouces) de profondeur et de 2,5 cm (1 pouce) plus longue que la largeur de l'appareil. Pour les cascades FiberFall, faire une encoche pour la longueur de l'appareil, plus 15,2 cm (6 pouces) sur la gauche pour le compartiment de la lentille et le câble de fibre ou 15,2 cm (6 pouces) sur les deux côtés pour les appareils à double compartiment. La cascade FiberFall nécessite également un coude pour conduit de 2,5 cm (1 pouce) dans la poutre pour les câble(s) de fibre. Voir la Figure 4.

Pour les piscines en vinyle et en fibre de verre, configurer le bloc pour correspondre à l'installation de la poutre de gunite.

Après avoir fait les encoches dans la poutre (calages d'appui), effectuer les étapes suivantes : (Se référer à la Figure 5.)

1. Déterminer le niveau d'installation de l'eau de la cascade avec la planche à cintrer.
2. Fixer la planche à cintrer à l'encoche de 3,5 cm (1 3/8 pouce) sous le fond du couronnement.
3. Cimenter l'arrière de la planche

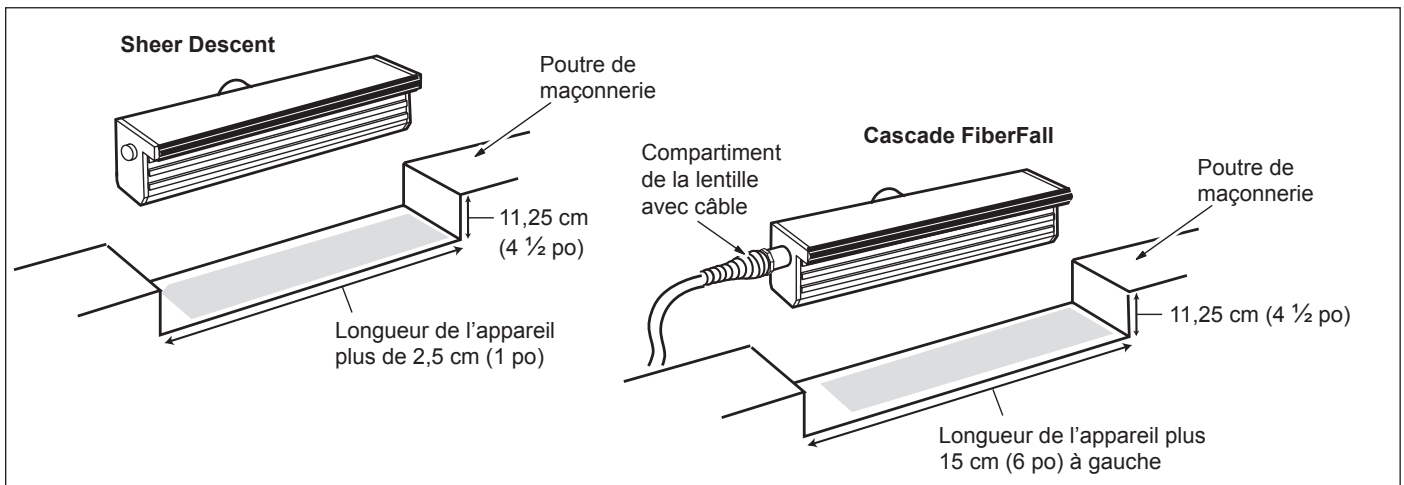


Figure 4. Installation du béton

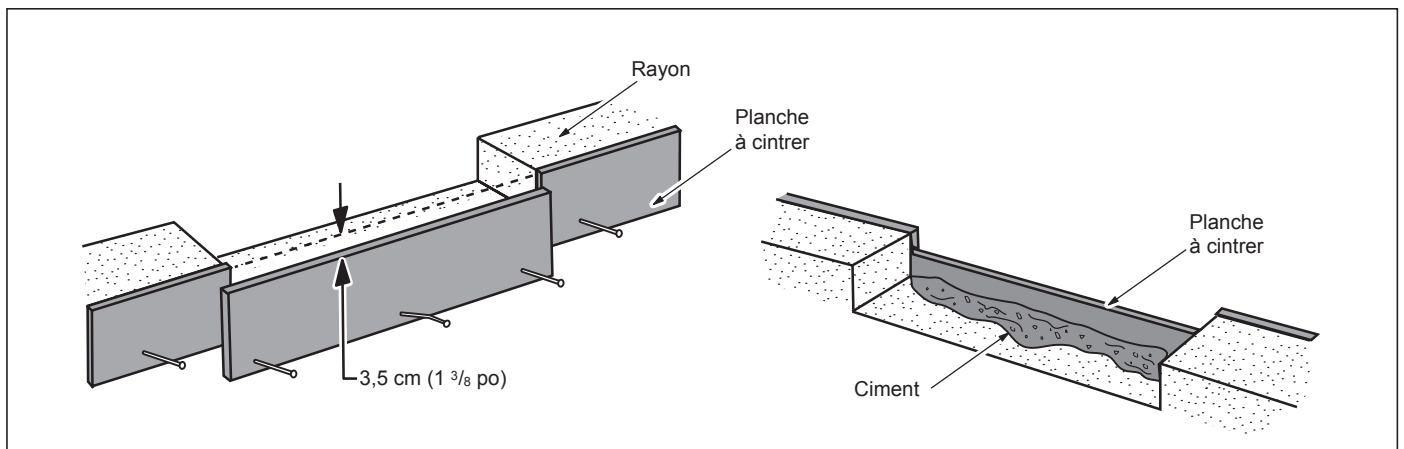


Figure 5. Installer la planche à cintrer

2.3.1 Positionnement de la cascade

ATTENTION

Le Waterfall lèvre doit être correctement placé afin d'atteindre l'effet de descente. Reportez-vous à la figure 6.

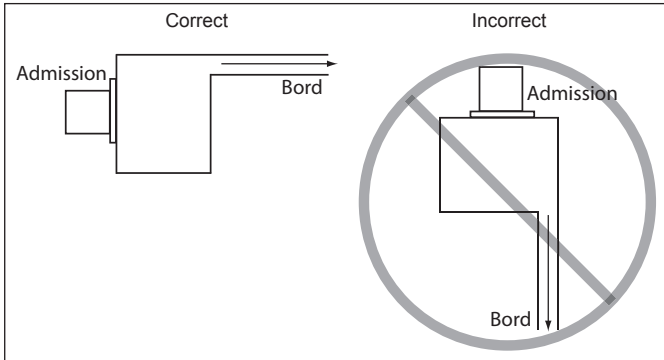


Figure 6. Positionner la cascade correctement dans l'encoche

1. Créer un lit de mortier de ciment dans l'encoche afin de fournir une base solide pour la cascade. Se référer à la Figure 7.
2. Installer l'unité dans le lit de mortier. Le bord doit dépasser de 2,5 cm (1 pouce) du béton projeté (ou

plus pour les finitions comme le roc ou la brique) pour garantir que le bord dépasse de 0,64 cm (¼ pouce) la paroi finie de la piscine.

3. Appuyer sur l'unité et mettre au niveau.
4. Appliquer 1,6 cm (5/8 pouce) de finition de ciment sur le dessus, les côtés et l'arrière de la cascade pour encasturer l'unité. Incliner la surface supérieure légèrement vers l'arrière, ¼ de bulle sur le niveau. Se référer à la Figure 8.
5. Retirer l'excès de ciment à l'avant des cascades.

2.3.2 Finition de la cascade

1. Utiliser un mortier de pose simplifiée pour installer les matériaux de couronnement sur le ciment au-dessus de la cascade. Appuyer sur l'appareil et mettre de niveau. Se référer à la Figure 9.
2. Retirer la planche à cintre.

Section 3. Puissance de la pompe et options d'installation

NOTE S'assurer que les coupes dans la poutre sont correctement complétées avant de poursuivre.

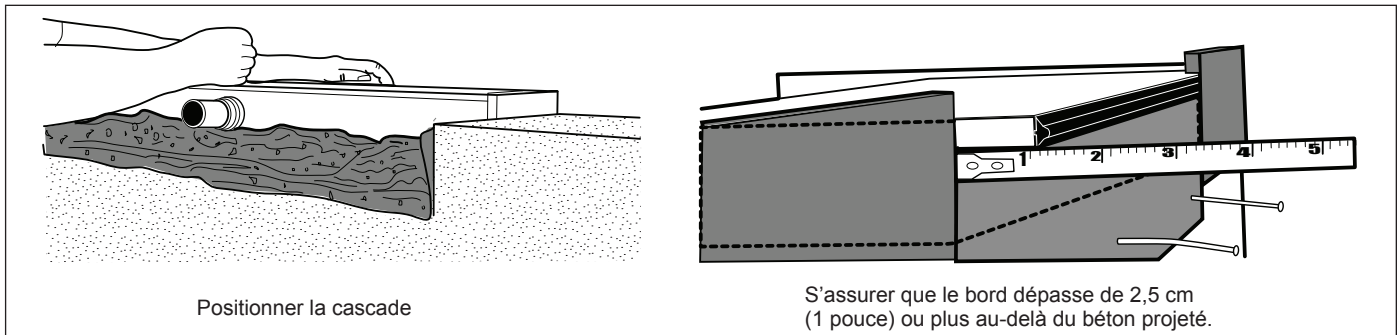


Figure 7. Positionnement de la cascade dans l'encoche

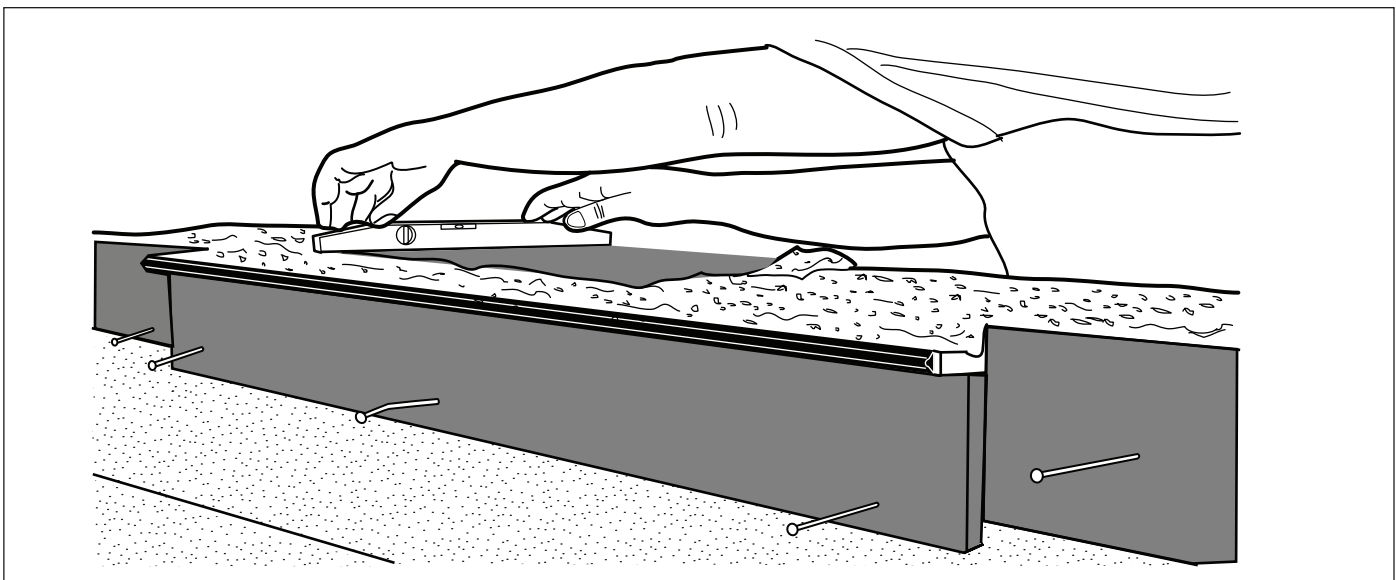
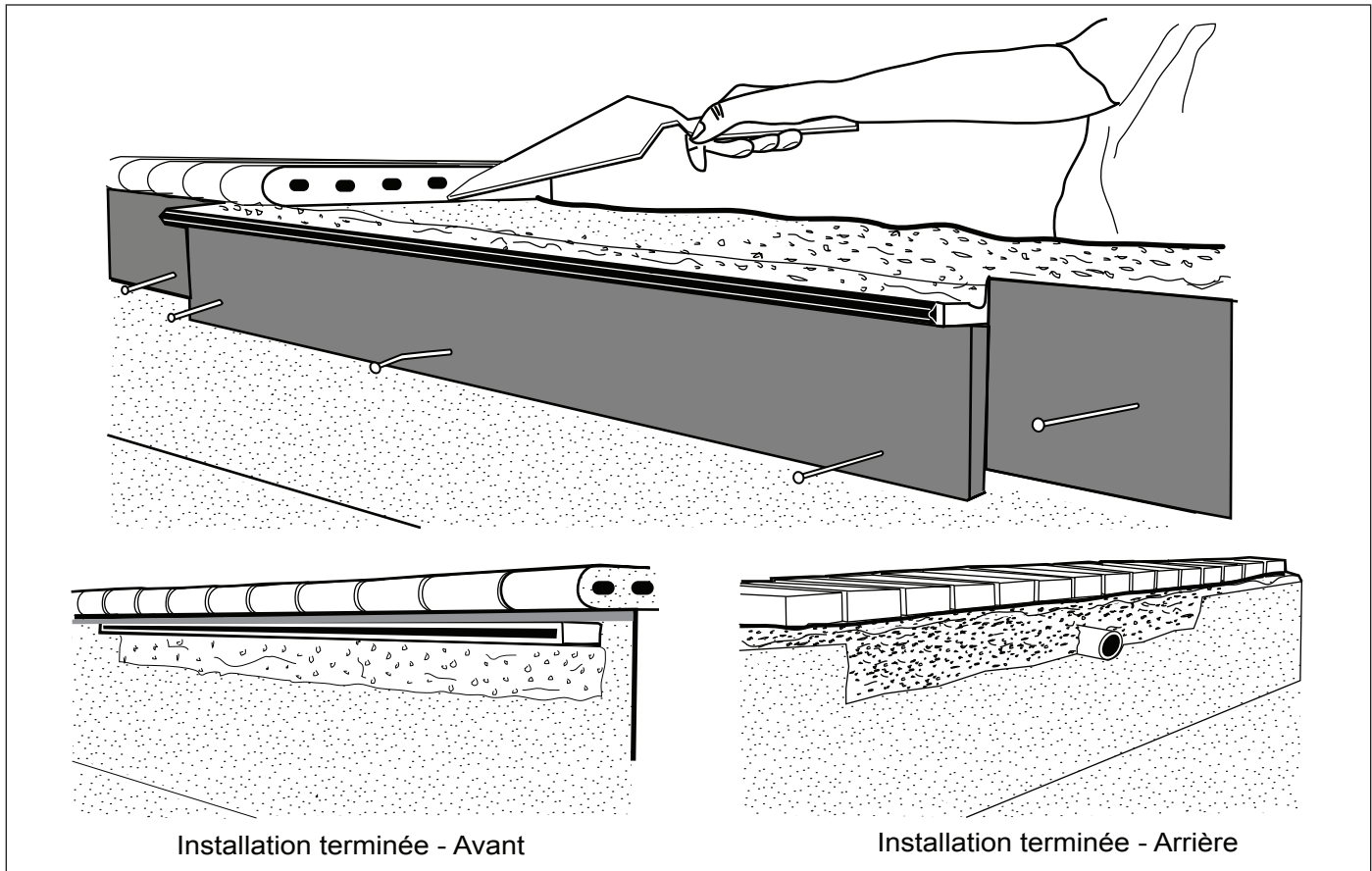


Figure 8. Lisser la surface en allant vers l'arrière de la cascade



Installation terminée - Avant

Installation terminée - Arrière

Figure 9. Finition de la cascade

L'un des avantages de la cascade Sheer Descent est la capacité de fournir une lame continue d'eau avec un minimum de débit d'eau. Un modèle standard de 1,2 cm (4 pieds), par exemple, ne nécessite que 182 litres (48 gallons) par minute pour fonctionner. Pour la dimension appropriée de la pompe, se référer au tableau des exigences en matière de débit d'eau. Dans la plupart des cas, une pompe de piscine de dimension standard fera fonctionner la cascade Sheer Descent et filtrera la piscine avec une faible perte en renouvellement total d'eau. En règle générale, la cascade Sheer Descent nécessite environ 45 litres (12 gallons) par minute par pied avec une perte de charge faible. Pour un effet plus dramatique, des litres (gallons) d'eau supplémentaires peuvent être appliqués pour projeter la cascade plus loin de la paroi. Se référer à la Figure 10.

NOTE Pour le raccordement de cascades multiples, additionner la longueur totale des cascades pour déterminer le nombre de litres (gallons) par minute nécessaire. Par exemple, pour le raccordement de deux appareils de 2 m (6 pieds), vous avez maintenant 4 m (12 pieds) de cascade, qui nécessitent 545 litres (144 gallons) par minute.

3.1 Installation avec une pompe existante

L'installation de la cascade Sheer Descent en utilisant la pompe principale de filtration de la piscine est le circuit de plomberie le plus courant, en raison de l'aspect unique du faible débit du circuit de la cascade. Installer simplement une soupape à trois voies sur la conduite de retour, après

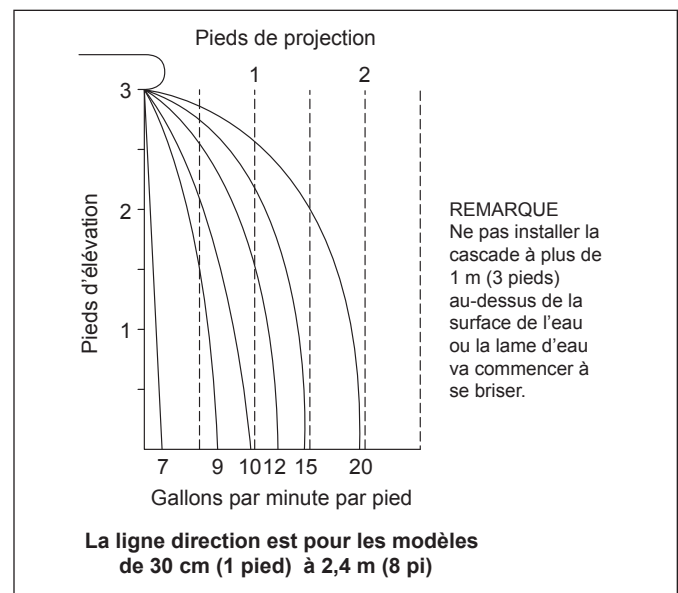


Figure 10. Graphique des exigences de débit

le filtre et raccorder la ligne d'alimentation de la cascade avec une tuyauterie minimale de 3,75 cm (1,5 pouce) en PVC de série 40. Les appareils de plus de 1,5 cm (5 pieds) de longueur nécessitent une plomberie minimale de 5 cm (2 pouces).

3.2 Installation avec une pompe dédiée pour la cascade Sheer Descent

Si plusieurs cascades sont en cours d'installation ou qu'une cascade Sheer Descent de 2 m (6 pieds) ou plus est en cours d'installation, nous recommandons d'installer une pompe et

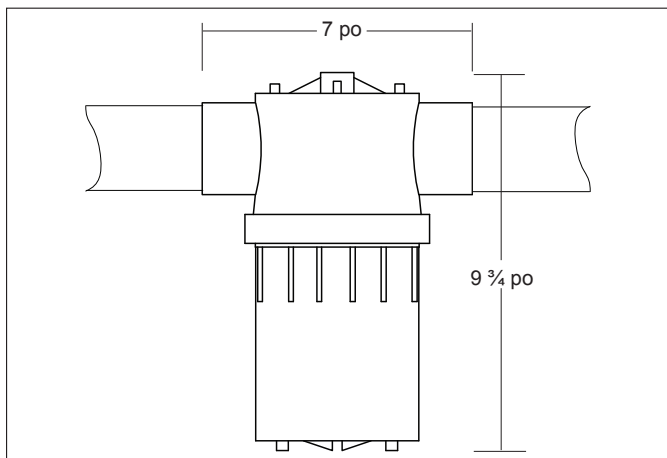


Figure 11. Filtre/Tamis de la cascade Sheer Descent (n/p 3456)

un filtre séparés. Lorsqu'une pompe est réservée à l'utilisation de la cascade Sheer Descent, une conduite d'aspiration séparée doit être prévue pour la piscine. La plomberie devrait être au moins de 5 cm (2 pouces) de série 40.

⚠ AVERTISSEMENT

Le débit à travers les autres bouches d'aspiration (drains) et leurs couvercles doit être conforme à la dernière version ANSI®/ASME® A112.19.8 publiée, la norme pour les raccords d'aspiration à utiliser dans les piscines, pataugeoires, spas et cuves thermales, ou à la norme qui lui succède, ANSI/ASME APSP-16.

Un filtre/tamis pour la cascade Sheer Descent (n/p 3456) ou l'équivalent doit être installé sur le côté retour de la pompe, entre la pompe et la cascade. Se référer à la Figure 11. UN FILTRE EST REQUIS pour les installations de pompe séparée, car les gros débris ne doivent pas entrer dans l'unité de cascade. Pour les installations nécessitant jusqu'à 227 litres (60 gallons) par minute, utiliser un filtre/tamis pour la Sheer Descent. Pour une élévation supérieure de la cascade, utiliser deux filtres ou plus, raccordés en parallèle. Une conduite de retour séparée, avec une soupape à trois

voies, doit être raccordée de telle façon que l'eau puisse être équilibrée entre la cascade et le retour vers la piscine, est également nécessaire. Voir la Figure 12.

Section 4. Raccordement de la cascade Sheer Descent

4.1 Conduite de retour pour la cascade

NOTE Si le débit de la cascade dépasse de plus de 40 % le débit de filtration, une pompe séparée est recommandée.

La conduite d'alimentation de la cascade, soit de la pompe de filtration ou d'une pompe séparée, doit être raccordée à une tuyauterie capable de gérer le débit nécessaire de la cascade. Voir le Tableau 1.

NOTE Une tuyauterie de 5 cm (2 pouces) ou plus est recommandée pour les cascades de plus de 1,5 cm (5 pieds) de longueur totale. Se référer au graphique sur les directives en matière d'hydraulique, Tableau 1, pour les spécifications. La conduite d'alimentation doit se terminer à l'arrière de la poutre de maçonnerie près du centre de l'emplacement de la cascade.

Tableau 1. Graphique sur les lignes directrices en matière d'hydraulique

Graphique du débit d'eau de l'aspiration (SUC) et du refoulement (DIS)		
Taille du Tuyau	Débit d'aspiration max*	Débit de refoulement max**
1 ½ pouce	37 gpm (140 L/min)	50 gpm (189 L/min)
2 pouce	62 gpm (235 L/min)	82 gpm (310 L/min)
2 ½ pouce	88 gpm (333 L/min)	117 gpm (443 L/min)
3 pouce	136 gpm (515 L/min)	180 gpm (681 L/min)
4 pouce	234 gpm (886 L/min)	313 gpm (1 185 L/min)

* Débit d'aspiration max basé sur 2 m (6 pieds) de vitesse par seconde.

** Débit de refoulement max basée sur 2,4 m (8 pieds) de vitesse par seconde.

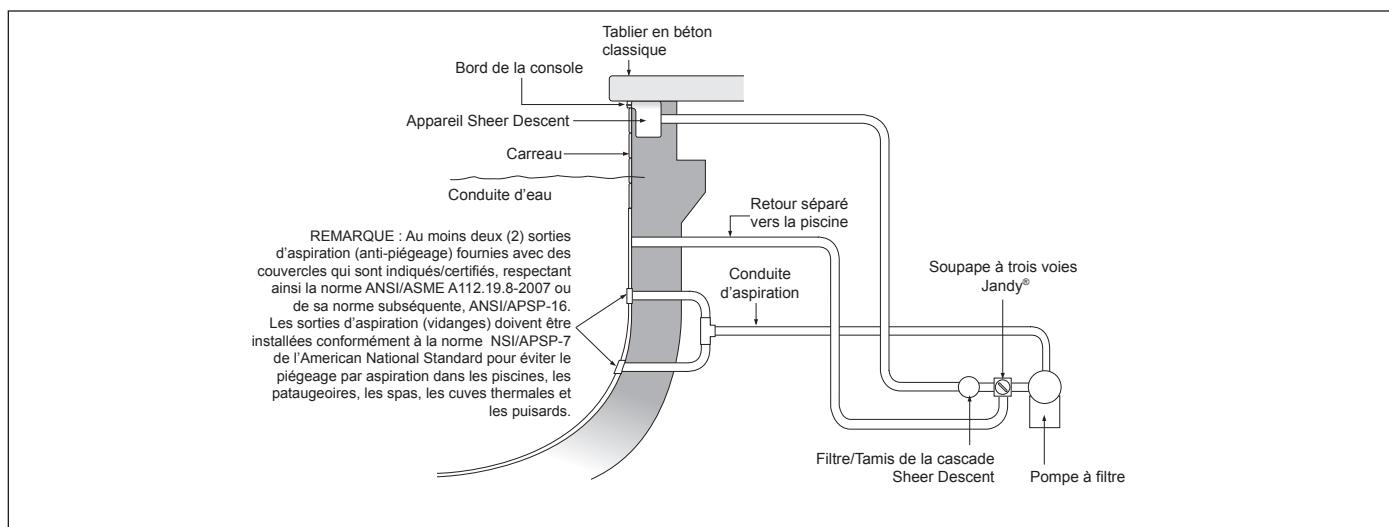


Figure 12. Installation de la pompe de filtration

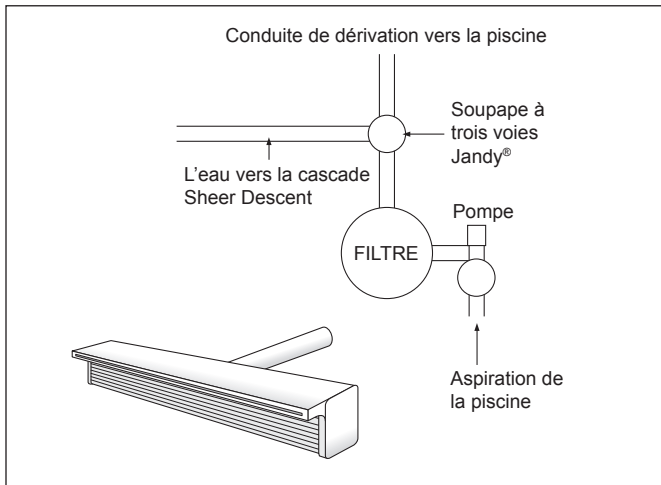


Figure 13. Configuration du raccordement de la soupape à trois voies

La soupape devrait être située dans un emplacement idéal sur la conduite d'alimentation pour réguler le débit de l'eau vers la cascade Sheer Descent. Une soupape à trois voies Jandy® est proposée comme « T » de la conduite de retour de la piscine vers la cascade Sheer Descent. Une soupape correctement raccordée dans cette position permettra le plein contrôle de l'eau vers la cascade Sheer Descent, ainsi que pour le reste de la piscine. Dans la plupart des cas, cette soupape peut être située après le filtre, à proximité de l'équipement de filtration. Voir la Figure 13.

NOTE Toute l'eau vers la cascade Sheer Descent doit être filtrée. Les circuits utilisant une pompe séparée doivent comporter notre filtre d'énergie séparé (n/p 3456) ou l'équivalent pour empêcher les débris de pénétrer dans l'appareil de la cascade Sheer Descent.

4.2 Raccordement d'une cascade unique

Tous les retours d'alimentation de la cascade Sheer Descent ont l'équivalent de la norme de 1,5 pouce à l'intérieur et de 2 pouces à l'extérieur de la tuyauterie en saillie à l'arrière de l'appareil. Pour les cascades de 1 pied à 8 pieds de longueur, ce raccord est situé au centre de l'arrière de la cascade.

Les raccords en PVC de 1 ½ pouce et de 2 pouces colleront sur le raccord à embout mâle de 1 ½ pouce par 2 pouces prévu sur toutes les cascades Sheer Descent.

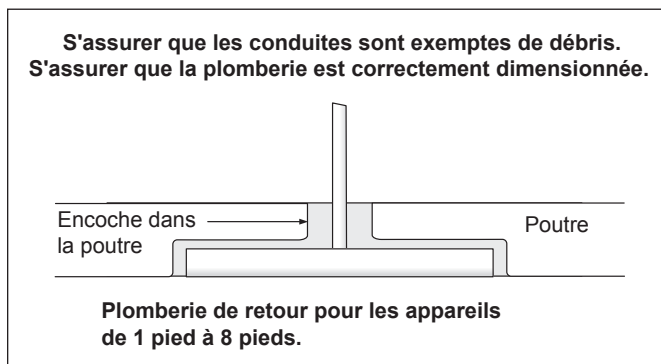


Figure 14. Configuration simple du raccordement de la cascade Sheer Descent

NOTE Un régulateur de débit doit être raccordé dans un emplacement idéal sur la conduite d'alimentation pour la régulation de l'approvisionnement en eau de l'appareil. Voir la Figure 14.

4.3 Raccordement de plusieurs cascades

Le raccordement pour deux cascades Sheer Descent ou plus est ainsi réalisé exactement de la même manière que la procédure d'installation pour appareil unique, tel qu'il a été expliqué précédemment, à l'exception du fait que des soupapes à deux voies sont nécessaires pour chaque cascade Sheer Descent. Voir la Figure 15. L'option de raccordement en boucle peut également être utilisée pour deux appareils ou plus. Voir la Figure 16.

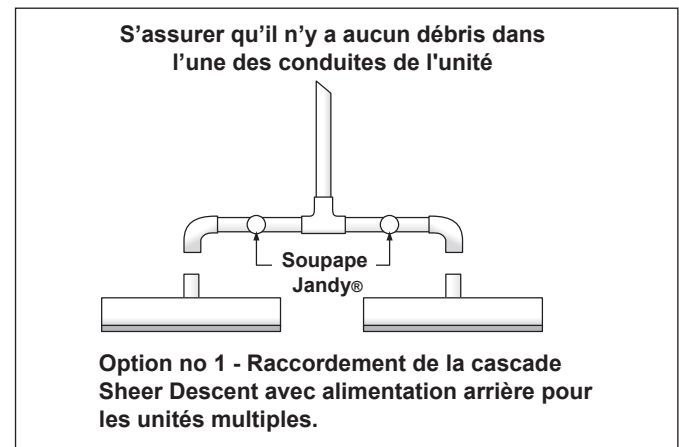


Figure 15. Configuration multiple du raccordement de la cascade Sheer Descent

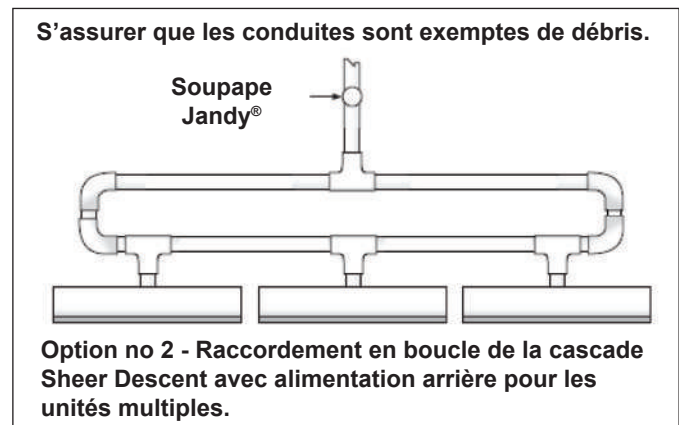


Figure 16. Configuration multiple du raccordement en boucle de la cascade Sheer Descent

4.4 Coupe du bord pour le rayon ou les installations personnalisées

La bordure prolongée de la cascade Sheer Descent peut être coupée sur mesure sur le terrain pour répondre aux besoins spécifiques, comme le rayon, les formes irrégulières, etc. Pour un ajustement personnalisé de la cascade, mesurer soigneusement la longueur de la bordure prolongée à être enlevé. Il faut se rappeler de laisser un espace suffisant pour poser les carreaux et le mortier, de manière à ce que l'arête la plus profonde de la coupe du rayon ne soit pas en retrait de la ligne des carreaux.

NOTE Ne jamais retirer plus de 10,2 cm (4 pouces) du bord prolongé, en laissant toujours un minimum de 5 cm (2 pouces) de bord. Voir la Figure 17.

Retirer le protecteur du bord avant de couper la cascade. Il faut se rappeler de **REPLACER LE PROTECTEUR DE BORD** après la coupe du rayon pour protéger la cascade des débris de construction.

La cascade doit être coupée avec une lame de scie à grosses dents. Des précautions doivent être prises pour faire la coupe aussi lisse que possible afin d'éviter le déchetage du bord. Après avoir coupé la cascade, insérer l'outil de retrait des cales d'espacement (inclus dans l'emballage du produit) à 2,5 cm (1 pouce) dans l'ouverture de la cascade. Déplacer l'outil autour de l'ouverture. Si l'outil frappe un support, utiliser l'encoche de l'outil pour retirer le support. Voir la Figure 18. S'assurer que tous les supports à 2,5 cm (1 po) de l'ouverture du bord sont retirés. **NE PAS LAISSER LA SECTION DES SUPPORTS MAL FIXÉE DANS LA CASCADE.**

Après le retrait des sections des supports, utiliser une lime plate de 0,32 cm (1/8 pouce), un papier de verre grossier pour lisser les arêtes de la cascade, puis un papier de verre fin pour obtenir l'arête la plus lisse possible. Un bloc de ponçage est recommandé pour éviter d'arrondir les arêtes de la cascade.

Insérer le protecteur du bord dans l'ouverture et continuer l'installation, en suivant les consignes d'installation pour la cascade standard Sheer Descent.

4.5 Directives pour la coupe du rayon de la cascade Sheer Descent

NOTE Ne jamais retirer plus de 10,2 cm (4 pouces) de la bordure prolongée, en laissant toujours un minimum de 5 cm (2 pouces) de bord. Le dessus de la poutre, où l'unité Sheer Descent doit être installé, devrait être d'un minimum de 22,9 cm (9 pouces)

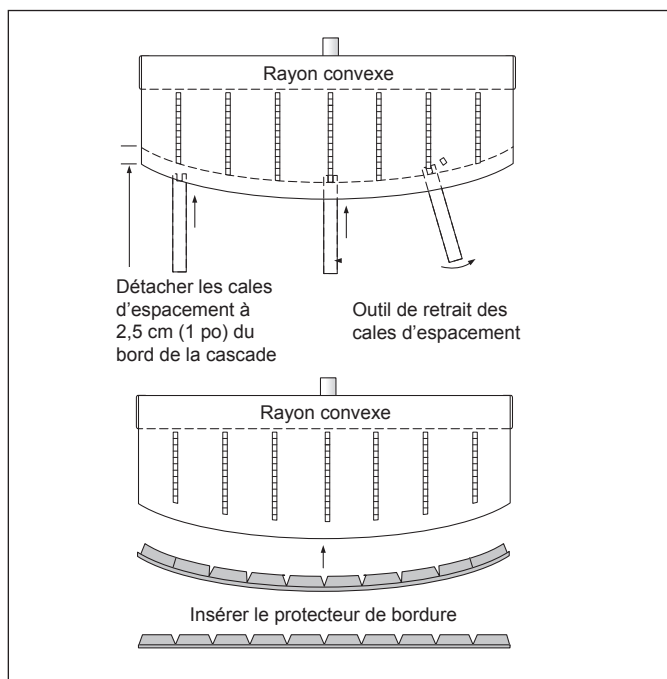


Figure 17. Installations personnalisées - Rayon convexe

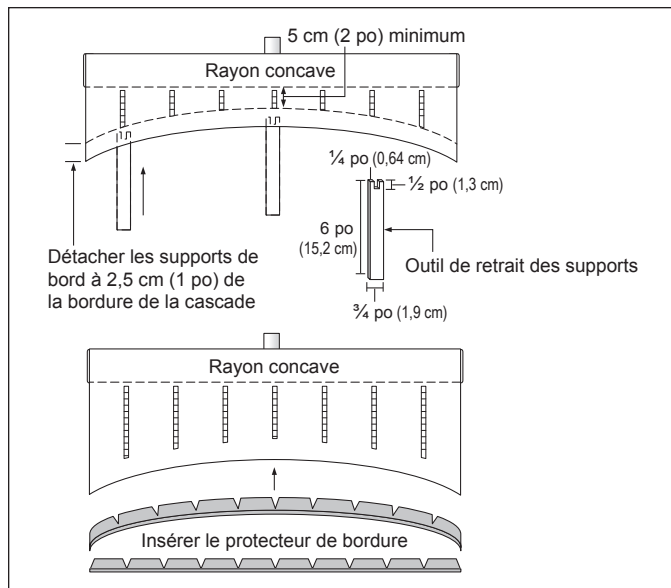


Figure 18. Installations personnalisées - Rayon concave

d'épaisseur. Au moment de la conception des courbes personnalisées pour les modèles à bordure prolongée de la cascade Sheer Descent, se référer au Tableau 2, pour les lignes directrices du rayon afin de sélectionner le modèle approprié pour la cascade Sheer Descent. Les modèles de rayon surdimensionné peuvent comporter des courbes de rayon très aiguës et sont disponibles sur commande spéciale. Se référer à la Figure 19.

Section 5. Démarrage

5.1 Consignes pour le démarrage

Une fois que la piscine sera terminée et remplie d'eau, la cascade Sheer Descent sera prête à être activée.

1. **RETIRER MAINTENANT LE PROTECTEUR DE BORDURE.** Ceci doit être fait avant que l'eau soit détournée vers la cascade. En outre, s'assurer que l'ouverture est propre et exempte de débris.
2. Mettre la pompe en marche. Si la cascade est raccordée à la pompe de filtration principale de la piscine, laisser la pompe fonctionner pendant quelques minutes pour dégager les débris de la conduite.
3. Ouvrir lentement la soupape de régulation et l'alimentation en eau de la cascade Sheer Descent. Régler le débit de l'eau jusqu'à ce que la lame d'eau s'étende à la surface de la piscine.

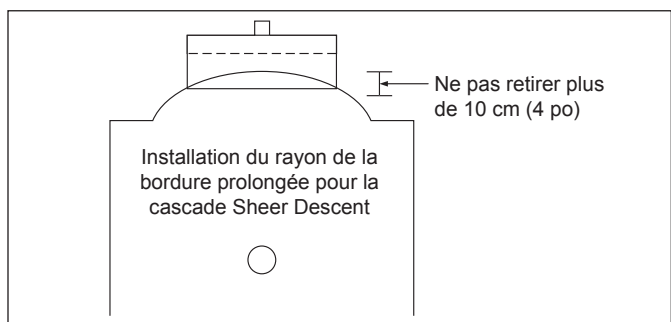


Figure 19. Installation du rayon du bord prolongé

Tableau 2. Charte de rayon pour la cascade Sheer Descent.

Utiliser le tableau ci-dessous pour s'assurer de la longueur, de la bordure et du rayon de la cascade Sheer Descent.

L o n g u e u r d e l a c a s c a d e S h e e r D e s c e n t

	12 po	18 po	24 po	36 po	48 po	60 po	72 po	84 po	96 po
D i m e n s i o n d u r a y o n	1 pi	Bordure de 6 po	Bordure de 6 po	Personnalisé	Personnalisé	SO	SO	SO	SO
	1,5 pi	Bordure de 6 po	Bordure de 6 po	Bordure de 6 po	Personnalisé	Personnalisé	SO	SO	SO
	2 pi	Bordure de 6 po	Bordure de 6 po	Bordure de 6 po	Bordure de 12 po	Personnalisé	Personnalisé	SO	SO
	2,5 pi	Bordure de 6 po	Bordure de 6 po	Bordure de 6 po	Bordure de 12 po	Personnalisé	Personnalisé	Personnalisé	SO
	3 pi	Bordure de 6 po	Bordure de 6 po	Bordure de 6 po	Bordure de 6 po	Bordure de 12 po	Personnalisé	Personnalisé	Personnalisé
	3,5 pi	Bordure de 6 po	Bordure de 6 po	Bordure de 6 po	Bordure de 6 po	Bordure de 12 po	Personnalisé	Personnalisé	Personnalisé
	4 pi	Bordure de 6 po	Bordure de 6 po	Bordure de 6 po	Bordure de 6 po	Bordure de 12 po	Bordure de 12 po	Personnalisé	Personnalisé
	4,5 pi	Bordure de 6 po	Bordure de 6 po	Bordure de 6 po	Bordure de 6 po	Bordure de 12 po	Bordure de 12 po	Personnalisé	Personnalisé
	5 pi	Bordure de 6 po	Bordure de 6 po	Bordure de 6 po	Bordure de 6 po	Bordure de 12 po	Bordure de 12 po	Personnalisé	Personnalisé
	5,5 pi	Bordure de 6 po	Bordure de 6 po	Bordure de 6 po	Bordure de 6 po	Bordure de 6 po	Bordure de 12 po	Personnalisé	Personnalisé
	6 pi	Bordure de 6 po	Bordure de 6 po	Bordure de 6 po	Bordure de 6 po	Bordure de 6 po	Bordure de 12 po	Bordure de 12 po	Personnalisé
	6,5 pi	Bordure de 6 po	Bordure de 6 po	Bordure de 6 po	Bordure de 6 po	Bordure de 6 po	Bordure de 12 po	Bordure de 12 po	Personnalisé
	7 pi	Bordure de 6 po	Bordure de 6 po	Bordure de 6 po	Bordure de 6 po	Bordure de 6 po	Bordure de 12 po	Bordure de 12 po	Personnalisé
	7,5 pi	Bordure de 6 po	Bordure de 6 po	Bordure de 6 po	Bordure de 6 po	Bordure de 6 po	Bordure de 12 po	Bordure de 12 po	Personnalisé
	8 pi	Bordure de 6 po	Bordure de 6 po	Bordure de 6 po	Bordure de 6 po	Bordure de 6 po	Bordure de 6 po	Bordure de 12 po	Bordure de 12 po
	8,5 pi	Bordure de 6 po	Bordure de 6 po	Bordure de 6 po	Bordure de 6 po	Bordure de 6 po	Bordure de 6 po	Bordure de 12 po	Bordure de 12 po
	9 pi	Bordure de 6 po	Bordure de 6 po	Bordure de 6 po	Bordure de 6 po	Bordure de 6 po	Bordure de 6 po	Bordure de 12 po	Bordure de 12 po
	9,5 pi	Bordure de 6 po	Bordure de 6 po	Bordure de 6 po	Bordure de 6 po	Bordure de 6 po	Bordure de 6 po	Bordure de 12 po	Bordure de 12 po
	10 pi	Bordure de 6 po	Bordure de 6 po	Bordure de 6 po	Bordure de 6 po	Bordure de 6 po	Bordure de 6 po	Bordure de 12 po	Bordure de 12 po
	10,5 pi	Bordure de 6 po	Bordure de 6 po	Bordure de 6 po	Bordure de 6 po	Bordure de 6 po	Bordure de 6 po	Bordure de 12 po	Bordure de 12 po
11 pi	Bordure de 6 po	Bordure de 6 po	Bordure de 6 po	Bordure de 6 po	Bordure de 6 po	Bordure de 6 po	Bordure de 6 po	Bordure de 12 po	
11,5	Bordure de 6 po	Bordure de 6 po	Bordure de 6 po	Bordure de 6 po	Bordure de 6 po	Bordure de 6 po	Bordure de 6 po	Bordure de 12 po	
12 pi	Bordure de 6 po	Bordure de 6 po	Bordure de 6 po	Bordure de 6 po	Bordure de 6 po	Bordure de 6 po	Bordure de 6 po	Bordure de 12 po	
12,5 pi	Bordure de 6 po	Bordure de 6 po	Bordure de 6 po	Bordure de 6 po	Bordure de 6 po	Bordure de 6 po	Bordure de 6 po	Bordure de 12 po	
13 pi	Bordure de 6 po	Bordure de 6 po	Bordure de 6 po	Bordure de 6 po	Bordure de 6 po	Bordure de 6 po	Bordure de 6 po	Bordure de 12 po	

- Laisser l'air s'échapper des conduites. Ceci ne devrait prendre que quelques minutes. La cascade Sheer Descent doit maintenant fournir une lame d'eau claire, continue.
- Si une pompe séparée a été installée, s'assurer que toutes les soupapes sont ouvertes avant le démarrage de la pompe. IL FAUT S'ASSURER QUE TOUTES

LES CONDUITES SONT EXEMPTES DE DÉBRIS AVANT LE DÉMARRAGE. Démarrer la pompe et laisser l'eau circuler à dans le circuit de filtration séparé et la conduite de retour. Ouvrir lentement la soupape vers la cascade et régler à la position désirée. Attendre quelques minutes pour purger tout l'air des conduites.

Section 6. Entretien général et dépannage

Avant de commencer, s'assurer que le circuit de la pompe est entièrement fonctionnel et activé. En outre, veiller à ce que tout l'air soit purgé des conduites.

6.1 Dépannage

Problème	Cause	Solution
La cascade n'est pas parfaitement lisse. Un ou des espaces dans la lame de la chute d'eau est(sont) présent(s).	Des débris se sont introduits dans l'ouverture de la cascade.	Utiliser une carte de crédit ou un objet similaire et la positionner doucement à l'intérieur de l'ouverture alors que la cascade est en marche. La faire glisser le long de l'ouverture à l'endroit où les débris se trouvent et tirer doucement sur les débris à travers l'ouverture. Ne pas utiliser d'outil en métal.
	Le filtre sale, le panier de la pompe sale ou les deux ont ralenti le débit en dessous des normes appropriées.	Nettoyer le filtre, le panier de la pompe ou les deux.
	Le(s) limiteur(s) de débit de la cascade n'est ou ne sont pas réglé(s).	Ajuster le(s) limiteur(s) de débit d'eau.
	Le rayon de la cascade a été coupé sur le terrain et les cales d'espacement n'ont pas été supprimées.	Se référer à la Section 4.4 pour les consignes pour le retrait des cales d'espacement.
Lorsque des cascades multiples sont installées, l'une des cascades est plus forte que l'autre ou les autres.	L'eau alimentée vers les appareils n'est pas équilibrée de façon appropriée.	Ajuster les soupapes pour chaque cascade jusqu'à ce que l'effet et l'équilibre appropriés soient atteints. Voir la Figure 15 pour l'emplacement de la soupape.
	Installation inappropriée de la boucle de plomberie.	Installation appropriée de la boucle de plomberie. Se référer à la Figure 16 pour la configuration appropriée de la boucle de plomberie.

6.2 Protection contre le gel et hivernage

Afin de prévenir le gel du circuit, la plomberie vers l'unité doit être installée de manière à ce que l'eau s'en écoule facilement. Les cascades Sheer Descent et Fiber Fall ont été conçues pour permettre uniquement un minimum d'eau de rester dans l'appareil à condition que la tuyauterie soit correctement installée. Souffler toute l'eau de la tuyauterie et de l'appareil de cascade Sheer Descent ou Fiber Fall. Suivre les procédures normales pour l'hivernage.

Zodiac Pool Systems Canada, Inc.

2115 South Service Road West, unit 3

Oakville, ON L6L 5W2

1.888.647.4004 | www.zodiacpoolsystems.ca

Zodiac Pool Systems, Inc.

2620 Commerce Way, Vista, CA 92081

1.800.822.7933 | www.ZodiacPoolSystems.com

©2015 Zodiac Pool Systems, Inc. H0347100 Rév D

ZODIAC® est une marque déposée de Zodiac International, S.A.S.U., utilisée sous licence.

Toutes les marques déposées susmentionnées dans le présent document sont la propriété de leurs propriétaires respectifs.

